

CLASSIFIEDS

FOR SALE-General

FOR SALE: Six year crib and mattress. Good condition. Call HA 9-5853. 361c

CASH for furniture, cattle, miscell. items. Also, sell on commission. Forest Grove Auction Mart. Spring Hill Road, S.E. City limits. Forest Grove. Phone 7615, office, or 4804, res. H. H. Unger, owner. 3615c

FOR SALE: Tomatoes, big crop; fine quality for canning. Ernie's Farm Market, 2 1/2 miles from Forest Grove on Gales Creek Rd. Look for signs on road. Phone 16524. 3615c

FOR SALE: African Violets, 50c up. Wide variety in bloom. Mrs. Carl Davis, 955 Grant Ave. 3615c

FOR SALE: Clarinet, B flat. Betty Sauer. 341 C St. Phone HA 9-3541. 341c

26-INCH girls bicycle. Very good condition. \$25 or best offer. 114 O-A hill. HA 9-3571. 341c

SPARK oil heater for sale. Merle Cline, HA 9-3701. 331c

U HAULS for rent, local or one way. Truck for lease, drive yourself. Vernonia Trading Company. 3215c

FOREST GROVE Auction Mart. Sale every Friday, Misc. 10 a.m., livestock 1:00 p.m. H. H. Unger, owner. Spring Hill Road, S. E. City Limits, Forest Grove. Phone Forest Grove 7615. 3115c

19 CU. FT. deep freeze for sale, \$260. Albert McNatt, 307 O.A. Flats, Vernonia, Ore. 351c

FOR SALE: 9 cu. ft. refrigerator, good condition. \$65. See Jay Hall. 351c

SAND and gravel for sale. Vernonia Trading Co. 2915c

TEN-POUND bundles of newspapers for sale. Suitable for starting fires, etc. Vernonia Eagle office. 8115c

FOR SALE: Used chain saws. Ted's Saw Shop, corner Bridge and State St. 2215c

SAND, gravel, crushed rock, fill dirt. Call HA 9-6829, A.G. Ostrander. 26152c

FOR SALE-Real Estate

FOR SALE: Nice house, four rooms, garage, store rm., utility rm. Glassed in front porch. Ocean front near Yachats. Two blocks off highway 101. Fine neighbors. \$6500. \$2500 cash, rest terms. Write Tom N. Kendrick, Waldport or call HA 9-3411. 3513c

K-FALLS owners says sacrifice my new Vernonia 1 bedroom home. Finish it up in your spare time. \$4000 cash.

1 1/2 STORY newly redec. home. 1 1/2 lots. Fine dist. Low down pymt. \$4500.

HUNTN Fish Hideaway, 8 mt. out on Nehalem R. Abt. 3 acres. Good house, has electricity, needs well. Steal at \$2250.

FAIR 2-bdrm. home on 2 lots. Workshop space, too. A speculator special. \$2250.

SMALL mod. 2 BR home in town. Good from top to bottom. \$2500 cash or assume contract.

3 SMALL bedrm. home on 2 lots out of city, close to stores. E-Z terms at \$2250.

Call HUDSON at HA 9-6058 Vernonia Branch Office Bump and Meyer Inc. Real Estate 3513c

HOMES

NEARLY new 3-bedroom modern home, includes dining and utility rooms. Lots of built-ins. Wonderful view. Will consider smaller house in deal. Full price, \$7000. Worth more. Good terms.

FARMS

5 ACRES, all cleared and level; Nehalem river borders one side; five-rm. modern house, wired for range and automatic clothes dryer; plumbed for automatic washer. Lots of built-ins and storage space. Price, \$3000. Very good terms.

3 ACRES just out of Vernonia with 5-room house, garage, woodshed and fruit house. Land all clear and level. Nehalem River just across road available for irrigation. Price \$3750. Good terms.

SEE ME FOR FARMS AND ACREAGE DON BAYLEY, BROKER Palace Cafe Bldg. Ph. HA 9-5225. 3411c

Sell it with an Eagle Classified.

FOR SALE-Real Estate

A FORCED SALE. Owner sick and must leave for hospital at once. A comfortable and completely furnished home. If taken at once, especially good price. Call at once at 888 Second St., Vernonia. 3613c

FOR SALE: Cozy 3-bdrm. newly decorated home. Electric heat, wired for elec. range and dryer; fenced in back yard. Wilfred Holce, 209 B St. Phone HA 9-3175. 351c

WANTED: Two-bedroom home near Vernonia with about 10 acres, suitable for retired couple. Garden space, small pasture, partially cleared land O.K. Write to Hiatt Taylor, 4826 N.E. 109, Portland 20, Oregon. 3511c

FOR SALE by owner: Two acres on Nehalem river. 5-room house. 1/2 mile from Vernonia. Good retirement home at bargain price. Nellie and Ed Tipton, Vernonia, Oregon. 3413c

FOR SALE-Insurance

WE ARE now selling auto and fire insurance for Farmer's Mutual of Enumclaw along with Mayflower. There is no membership fee on autos with Enumclaw. Please come in and compare rates.

Russell Insurance Agency 959 Rose Avenue 3614c

FOR SALE OR TRADE

FOR SALE or trade: 1949 Chev. panel truck. Four new tires, new paint, A-1 condition. \$475

Phil A. Wiles, Sunnyside Service, Vernonia. 3513c

WANTED

WANTED: Good used wood circulating heater. Call at 1342 Bridge St. 3613c

WANTED: Farm hand to operate K-AC Cat and Ford tractor. Married man with no children. Modern home furnished. \$1 per hr., 8 hr. day. Near Vernonia. Dave Coons, Rt. 1, Box 210, Clatskanie. Phone 2774 after 6 p.m. 3611c

WANTED: Musicians for Western band. Contact Harold Fowler or Albert McNatt. Call HA 9-3984 after 5 p.m. 3513c

CONES WANTED for reforestation in Columbia county. All cones bought by bushel measure at following prices:

Douglas Fir \$1.50 Bushel
Grand Fir \$1.25 Bushel
Hemlock \$5.00 Bushel

Buying station is Columbia Tree Farm office, Crown Zellerbach Corporation, Vernonia. Will start receiving cones September 4. 3513c

FURNITURE WANTED. Cash for furniture, appliances, household goods. Call collect Mitchell 4-4181, Beaverton. 3414c

ANYONE wanting grass cut by scythe, ground spaded or hoeing done, call at 842 Third street. 3413c

WANTED: Housekeeper for family of three. \$75 per month, room and board. Week ends off. Phone HA 9-5948. 2115c

HIGHEST cash prices paid for cream and eggs at your door—picked up once or twice weekly—call or write Forest Grove Creamery, Forest Grove, Oregon. Phone 126. 1415c

DEAD and worthless stock removed free of charge. Also, will buy your cows, calves, hogs. John Wilmarth, Clatskanie, Ore. Phone 2362. 2315c

PORTABLE welding service, power plant; night work. George Smith, HA 9-3878. 3215c

CLARENCE R. WAGNER, county surveyor, Court House, St. Helens. Phone office, 698; home, 183. Private surveying, engineering work. 2415c

NOTICE

BIRTH ANNOUNCEMENT
The birth of a new car, the Edsel, is announced by Ford Motor Company of Dearborn, Michigan. You are cordially invited to see this newest addition to the Ford Family of Fine Cars at your nearest Edsel dealer.

OPTOMETRISTS:
Dr. V. J. Horne and Dr. R. V. Lance
Across from Texaco
Wednesdays

BILL'S

HOMETOWN
HARDWARE

Phone HA 9-6131
VERNONIA, ORE.

Paint, Bldg. Supplies,
Sporting Goods,
Housewares, Appliances

'Buy of the Week'

So-Lite self-adjusting, ball bearing all steel lawn mower \$22.50

YOU SAVE \$7.55

Reg. \$22.50 **\$14.95**

WE DELIVER

ROLL ROOFING 45-lb.	\$3.35	55-lb.	\$3.85
65-lb.	\$4.60	90-lb.	\$5.25
felt \$3.45	Sheathing \$3.45	15-lb. saturated	Complete stock

eaves trough and fittings.

Roof coating Gal. \$1.65 5-Gal. \$7.88

Floor Polisher for Rent \$1 day; Home Wiring Supplies

Lunch Kit with gen. Thermos reg. \$2.98, spec. \$2.49

—Complete Stock of Sunbeam Small Appliances—

REGULAR STORE HOURS: Open 7 a.m. to 7 p.m.

HERE'S HOW . . .

MAKE A DESK THAT GROWS

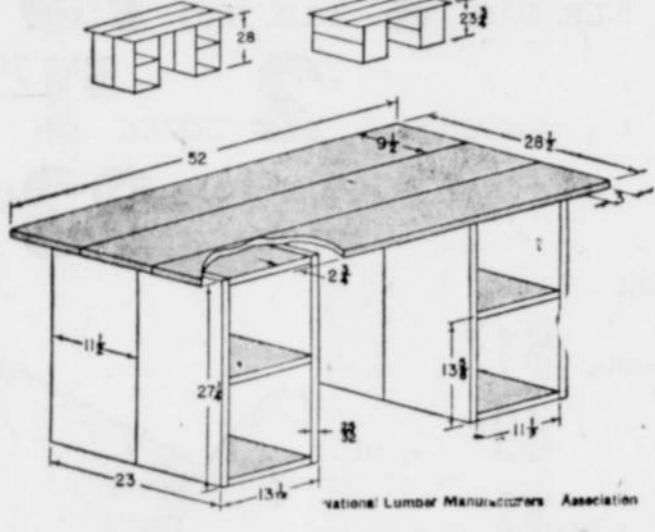
A table desk, 23 1/4 inches high for a small child, may be transformed to 28 inches high when the child grows up.

The top is made of three boards fastened with 5/8-inch dowels and glue. Use six 4-inch dowel lengths in each matching edge. Dowel holes are 2 1/4 inch deep. Clamp the boards together until the glue sets. Hardwood plywood may also be used for the top.

Base sections are of 1 by 12-inch lumber, fastened with glue and 6-penny finishing nails.

To make the low desk, the base sections are placed with the opening downward. For the high desk, the openings serve as shelves. Fasten the top to the bases with corner braces—three, evenly spaced, on each side of each base. The braces are fastened with screws.

Sand the desk well, rounding all sharp edges, before staining and varnishing.

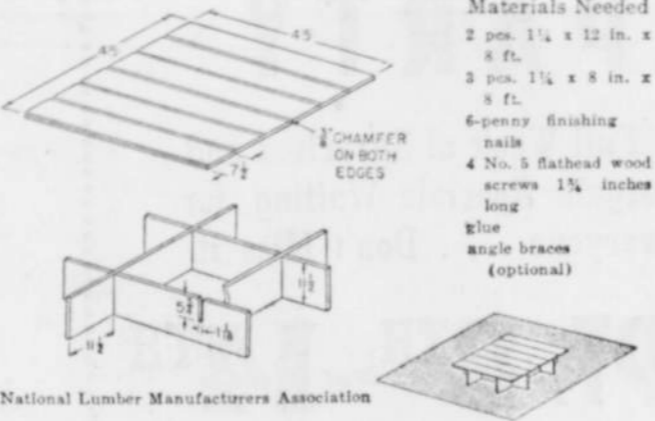


MAKE A PATIO SERVING TABLE

A serving table that can be dismantled when not in use is sturdily constructed of 1 1/4-in. lumber. It is useful during picnics on the patio and is an attractive addition to the outdoor furniture.

The base is made of four pieces of 1 1/4 by 12-inch lumber. Each piece is cut 45 inches long. Assemble the base with cross lap joints. The joints are made by cutting out a section as shown measured 12 inches in from the ends of each piece. For permanent construction, assemble the joints with glue and 6-penny finishing nails. If the base is to be dismantled when not in use, an angle brace at each corner will hold the base rigid during its use.

The top is a 45-inch square made of 1 1/4 by 8-inch lumber. The edges are chamfered or beveled as shown. Assemble the top by edge-gluing the boards; use 6-penny finishing nails toenailing at the ends. Cleats placed on the underside will prevent the top from buckling or sagging when not in use. Be sure the cleats do not interfere with the base. Attach the top with No. 5 wood screws. Round all sharp edges.



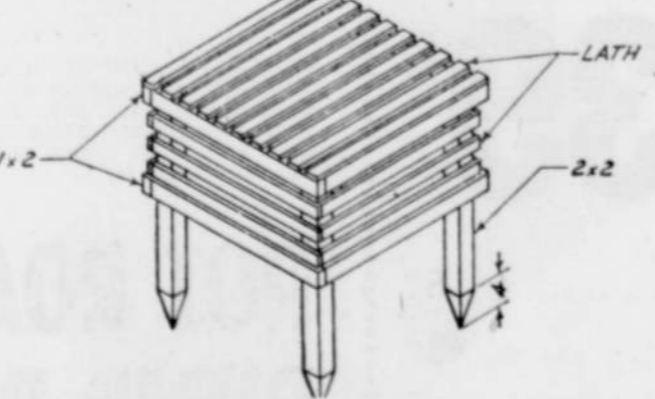
MAKE SHRUB SHELTERS

Valuable shrubs may be protected from wind and snow by easy-to-make shrub shelters.

The shelters should be made large enough to allow for the growth of the plants for several years. Each shelter consists of four 2 by 2-inch legs, sharpened at the ends and framed with 1 by 2-inch strips at top and bottom. The bottom framing is about 6 inches from ground level. Use 6-penny finishing nails for fastening.

The top lath (3/4 x 1 1/2") are spaced to allow 1/2 inch between strips. The side lath are spaced one lath-width apart. Lapping the ends of the lath and framing strips, as shown, will simplify cutting the lath to length—all pieces for one shelter may be cut to the same length. Use 2-penny finishing nails or 1-inch brads for fastening the lath.

The shelters should be painted, to add to their life and attractiveness. Set them in place before the frost hardens the ground. Tap them down securely, using a mallet or a hammer and wood block.



Broiler Use On Unit Programs

When did you use your broiler last? If it has been standing idle is it because you aren't quite sure how to use it or because you think it's too much trouble to clean afterward? The broiler can be one of your best kitchen helpers, according to Margaret Allyn, county extension agent. It's neither hard to use nor hard to clean once you know how.

The broiler can help you hurry up a meal, for it cooks quickly and easily. Broiled foods also

CARD OF THANKS

WE WISH to extend to our friends our sincere thanks for the cards and flowers which expressed their sympathy in our recent bereavement. They were deeply appreciated.

Mrs. Ernest Schaffer
Mr. and Mrs. Fred Roediger and family
Mr. and Mrs. Norman Baker and family
Mr. and Mrs. Paul D. Driscoll and family
Mr. and Mrs. Norman D. Driscoll and family. 3611c

FOR RENT

APARTMENT for rent. Couple only. Burton Apartments, River-view. 3615c

FOR RENT: Two one-bedroom apts. Furnished or unfurnished. For information call Lloyd Thomas, HA 9-5912. 3615c

CLEAN, attractive, one-bedroom house. Electric heat, electric hot water heater. Wired for range. Utility room wired and plumbed for automatic washer and drier. Inquire 475 South First Avenue. 3115c

SMALL clean modern house for rent. Suitable for two. Oil heat; has water heater and is wired for range. Call Mrs. R. D. Eby, HA 9-3671. 2915c

LARGE 4-ROOM furn. apt., \$35. Elec. range and auto hot water, oil heat, newly redec., water and garbage pick-up included. Refrigerator available. 117 North St. 2715c

THREE ROOM furnished apartment, shower bath, electric range refrigerator, oil heat. Also, apt. with electric heat, and a large room with kitchen privileges. Riverview Cabins. 2515c

APARTMENT available at Cherry Tree apartments, 830 Second Street. HA 9-5042. 1715c

"IT'S THE WATER"
THAT MAKES
IT SO REFRESHING

Bottled by Dr. E. J. Eby, Vernonia, Ore.

DR. L. M. CROSSAN
CHIROPRACTIC PHYSICIAN
X-RAY — PHYSIOTHERAPY

Hours: Daily 9-6 p.m. Except Tues. 9-12 Noon
Sat. 9-4 p.m.

GENERAL PRACTICE BY NATURAL METHODS

2nd and Bridge Street Phone HA 9-6303

Featuring . . .

Hudson House

Olives — String Beans — Corn
Peas

NEHALEM

MARKET AND GROCERY

For Delivery Every Day Phone HA 9-6341

CLASSIFIED RATES

THE EAGLE assumes no financial responsibility for errors that may appear in ads published in its columns, but in case where this paper is at fault, will reprint that part of an adv. in which the typographical mistake occurs.

MINIMUM charge 40c for 25 words or less. Words over minimum, 2c each. Three insertions for the price of two.

NO CLASSIFIED OR DISPLAY ADV. WILL BE ACCEPTED AFTER WED. NOON EXCEPT FOR NEXT WEEK'S PAPER. CARD of Thanks & Notices: 80c. BLIND ADS with answers to be handled by the Eagle: Minimum charge 80c. No information given relative to such ads. NO information on classifieds will be given out until after paper is mailed.

POETRY accepted only as paid matter. Rate: 5c per type line.

Counting time is not as important as making time count.

Phone HA 9-3462

NEHALEM VALLEY
MOTOR FREIGHT