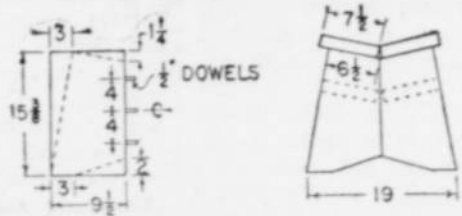
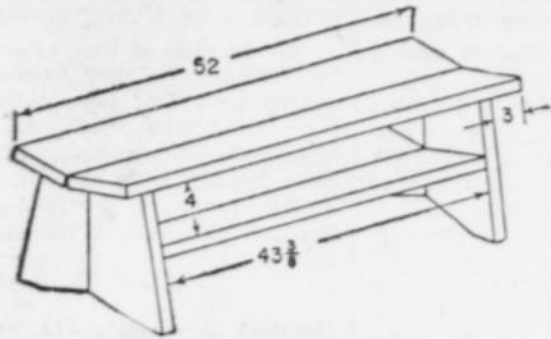


HERE'S HOW...

MAKE A LAWN BENCH

Extra lawn furniture can be made of 1 1/2 by 8 and 1 1/2 by 10-inch lumber. The top or seat is made of two pieces of 1 1/2 by 8-inch lumber. The horizontal support is made of two pieces of 1 1/2 by 7-inch lumber. Space the boards 1/16 inch apart for drainage of

rainwater. The leg detail is shown in the small diagram. Cut out the half leg along the dotted lines. Use dowel joints to assemble the leg sections. Bevel the top edge of the seat and round all other sharp edges.



National Lumber Manufacturers Association

MAKE A DELIVERY STORAGE CABINET

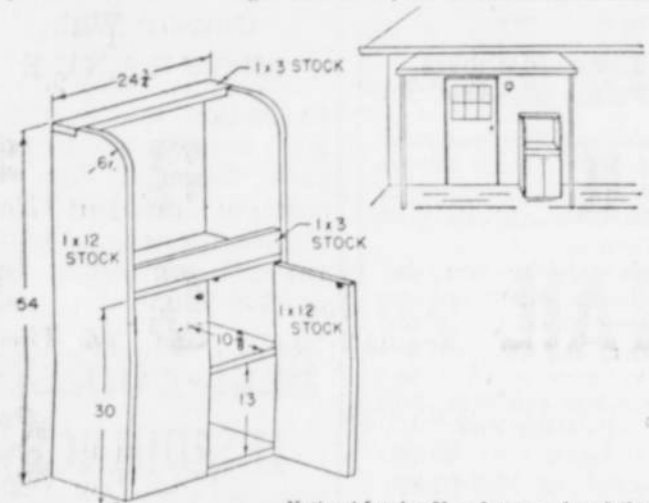
A delivery storage cabinet for groceries and other deliveries when you are away from home can be made of 1 by 12 and 1 by 3-inch lumber.

The sides are made of 1 by 12-inch lumber 54 inches long. The curved front corner is made with a coping or jig saw. The top rear edge is cut out as shown for the 1 by 3-inch brace. The center shelf is 30 inches from the bottom of each side panel. Locate the position of the butt hinges for

the door 4 inches from the bottom of the panel and 4 inches from the 30-inch mark for the shelf. Cut out the area and 1 by 3-inch lumber.

The shelves are planed to a width of 10 1/2 inches. The front brace is made of 1 by 3-inch lumber. The doors and bottom are of 1 by 12-inch lumber.

Assemble with glue and 6-penny finishing nails. Add the door pulls and friction catches.



National Lumber Manufacturers Association

MAKE A SCREENED OUTDOOR ROOM

Summer outdoors is more enjoyable with a screened enclosure. The enclosure can be used for picnics or a cool place for the youngsters to play or sleep.

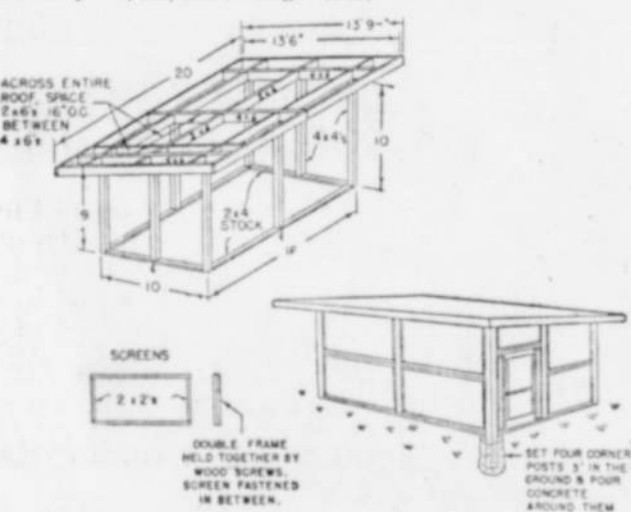
The enclosure shown provides a 16 by 10 foot 'floor' space. If the dimensions are varied, span lengths should not exceed 8 feet.

The posts are made of 4 by 4-inch lumber; the front ones 13 feet long; the centers 12 1/2; the rear posts, 12. The footings

are of 2 by 4-inch lumber. Use naturally durable or treated wood for the corner posts and footings.

The rafters are made of 2 by 6 and 4 by 6-inch lumber. The roof is of 1 by 6-inch lumber topped with building paper and coated rolled roofing. Assemble the framework and roof.

Make the screens and door. Install the screens with No. 8 flathead wood screws 2 1/2 inches long. Frame the space for the door.



Mrs. Charles Hascoll Entertains Mist Club

MIST — The M.H.C. met last Thursday at the home of Mrs. Charles Hascoll. There was a good attendance and the hostess served a most delicious dinner after which the meeting and social hour were held. The next regular meeting will be at the home of Mrs. George Mathews Thursday, August 22.

Rev. and Mrs. A. Brown Colson and Ricky from San Diego, California and Mrs. Ritermen from Beaverton visited the Norman Hanson family Thursday evening.

Mrs. Tom Ford and Mr. and Mrs. Ted Kulju and Mrs. Shukett and Linda, all from Portland, spent Friday with the Charles Hansens.

Ninety per cent of all people who work for a living are covered by the Federal Social Security program.

G. G. Club Welcomes New Member, Guests

The July meeting of the G.G. club was held last Friday evening at the home of Dorothy Olinger. Billie Brewer, the newest member, attended for the first time. Patsy Michener, who recently moved to San Francisco, flew up here to accompany her small nephew on the plane and was able to attend the club again. Jeanette Odum was a guest for the evening.

Delicious refreshments of angel pie and coffee were served by the hostess after which she opened her hostess gift presented by Lois Wilson. It was a lovely lace table cloth.

Members present were: Betty Brady, Beverly Cline, Rena Brady, Billie Brewer, Ellen Hanson, Genny Hanson, Maxine Larson, Pat McNair, Dorothy Olinger and Lois Wilson.

Sell it with an Eagle Classified.

Culbertsons Get Legion Offices

Reports of the district caucuses were the main items of interest at the last meetings of the American Legion and the unit auxiliary. The Washington-Columbia Jamboree was held immediately preceding the caucuses at Metzger and Mrs. Harry Culbertson was elected commander for the ensuing year. This is the first time that a lady has held this position.

Elections were also the order of business at the district meetings. Willis Cady of Hillsboro was chosen for the top office and Harry Culbertson of Vernonia elected vice-commander. This is also the first time that a Legionnaire from here has held a district one office.

Mrs. Arllys Anderson from Sherwood was unanimously chosen for the auxiliary office of district one president. Some department convention order of business was discussed so that the local units could express their opinions for the benefit of the delegates guidance. Mrs. R. Reith of Astoria was selected as the candidate for district one-A president in the event that the American Legion auxiliary splits the district as the Legion did last year.

Picnic Held Thursday On River At Thackers

TIMBER ROUTE — A Thursday afternoon picnic on the river near Nell Thacker's home was enjoyed by the following group: Mrs. Nell Thacker, Tom and Tam Galloway, Mrs. Betty Smith and four boys, Mrs. Laura Thacker, Mr. and Mrs. Carl Wienecke, Mrs. Edith Bledsoe, Mr. and Mrs. Otto Stowell and two sons from Buxton, Janine Laman from San Francisco, California and Karen Johnson from Vale.

Thursday evening dinner guests at the home of Mr. and Mrs. Harold Shipley were his brother and sister-in-law, Mr. and Mrs. Merle Shipley from Barstow, California and his mother, Mrs. Lura Shipley from Portland.

Mrs. Edith Bledsoe who has been spending the summer with her daughter, Mrs. Mae Wienecke went to Manning for a week or ten days to visit with another daughter, Mrs. Elva Tolke.

Mrs. Florenz West was in Portland Tuesday morning on business after which she and her mother, Mrs. Wm. Greiling, had luncheon with her cousin, Mrs. John Cook.

Mr. and Mrs. Frank Birt attended a family reunion held at the home of her mother, Mrs. Robert Rowe, in Portland Sunday.

Mr. and Mrs. Art Kirk and Mr. and Mrs. Charles Justice spent the week end in Seaside visiting Mr. and Mrs. E. C. Barnes. Sunday, Mr. and Mrs. Ed Schaffer and children joined the group and they picnicked at Ecola Park.

Mr. and Mrs. Wm. Carmichael and four children attended the annual grange picnic held at Big Eddy park Sunday.

Three Families Enjoy Week End Camping Trip

NATAL-PITTSBURG — Mr. and Mrs. George Duncan and Diana of Scholls and Mr. and Mrs. Gene Duncan of Hillsboro came Saturday evening to take the Art Tronnes family with them to the beach. They camped out at Gearhart and Cannon Beach. Mrs. George Duncan is the daughter of the Tronnes.

Mr. and Mrs. W. R. Wolff and Mr. and Mrs. Kenneth Tupper and daughter Sandra, motored to Oswego recently to attend a family picnic at the Harry Kuehn home. Mr. Wolff and Mr. Kuehn are cousins.

Vernonia Eagle

Marvin Kamholz Editor and Publisher

Official Newspaper of Vernonia, Oregon

Entered as second class mail matter, August 4, 1922 at the post office in Vernonia, Oregon under the act of March 3, 1879. Subscription price \$3.00 yearly in the Nehalem Valley. Elsewhere \$3.50.



Boys Work Way Up To Alaska

MIST — Bonnie Foster and his boy friend from Alaska came here to visit his aunt, Mrs. Charles Sundland recently. The boys worked their way up to Alaska with very little expense, arriving there in time to get employment on a big fire raging there.

Mr. and Mrs. Ballard have returned to New York after visiting relatives here and elsewhere for a month or more.

The Garlock ladies are away at

Camp meeting at this time. Mr. and Mrs. Noble Dunlap called on the Austin Dowlings Friday.

Mr. and Mrs. Walter Foster from Stockton, California are visiting her sister, Mrs. Charles Sundland and family.

Mr. and Mrs. L. P. Wikstrom were in Clatskanie Saturday.

Mr. and Mrs. Sam Devine called on Mr. and Mrs. Grover Devine at Cherry Grove last Friday afternoon.

Shalmon Libel was in Gresham Tuesday on business. He also called on his sister in Portland. Mrs. Shalmon Libel and Mrs.

Sam Devine went to Astoria on Saturday to be with Mrs. Tom Gillesppi who was seriously ill after her operation on Friday.

A family from Vernonia that burned out have moved on to the house on the Ralph George farm.

Mrs. Austin Corll is expecting her niece from Seattle for a visit. Mrs. Corll's daughter, Marlene Grey who works in Portland is coming home also for two weeks.

Captain and Mrs. A. Weideman from Astoria visited the Charles Hansens Sunday.

Mr. and Mrs. Ted Storet have moved in to one of the Garlock cottages.



WITH THE NEW EXCLUSIVE TWIN-PAK RIBBON CHANGER

YOUR FINGERS NEVER TOUCH THE RIBBON

NEW Decorator Colors  
Velveteen or smooth finish

Royal Red	Royal Turquoise
Royal Pink	Royal Beige
Royal Green	Royal Gray

STANDARD KEYBOARD PLUS TWO EXTRA KEYS

The Royal Quiet De Luxe®, in your favorite color, has every operating feature you could wish for in a Portable typewriter... features available on no other portable. It has Office Typewriter Keyboard and Features, including exclusive Magic® Margin for instant margin setting and Touch Control®, enabling the touch of the keys to be tailored to every member of the family.

NO DOWN PAYMENT UP TO 24 MONTHS TO PAY

SEE THE ROYAL NOW

Inquire about this unusual offer and how you can take advantage of it.



Vernonia Eagle

PRINTING

PHONE HA 9-3372

PUBLISHING