

CLASSIFIEDS

FOR SALE—General

SPECIAL PIANO BUY

Have to move used stock for new. Acrosonic, exclusive full-blow action, tone and style. Barely used. \$595. Write or phone. Oregon Music Company, 1000 S.W. Morrison, Portland. 1312c

AUCTION SALE Saturday, Mar. 31, at Midway Community Auction, Clatskanie, Oregon. Miscellaneous, 12:30; livestock, 2:00 p.m. John Wilmarth, phone 2362, Clatskanie, Oregon. 1311c

BIG PROFIT for your spare time. Trap and bring in alive squirrels, coons, skunks, chipmunks, etc. For full information inquire Jim Caywood at old high school gym. 1213c

FOR SALE: Two fresh cows, two more fresh soon. D.H.I.A. test, high average. J. P. McFarland. Phone HA 9-5946. 1213

EASTER LILIES and other flowers. Place orders early please. HA 9-3704. Riverview Greenhouse. 1113

BARGER ELECTRIC REPAIR. Rewinding, repairing, refrigerators. Rebuilt motors and refrigerators for sale. Phone HA 9-6933. 461fc

FOR SALE: Used chain saws. Ted's Saw Shop, Riverview. 221fc

CASH PAID for furniture, livestock, machinery, tools any time. Forest Grove Auction, L. R. Senff and C. W. Christiansen, owners and auctioneers. Phone 7615. 141fc

SAND, gravel, crushed rock, fill dirt. Call HA 9-6829, A.G. Ostrander. 26152c

FOR SALE—Insurance

ALLSTATE, founded by Sears, gives you more for your insurance dollar. For auto, fire and personal liability insurance, see or phone your local Allstate Insurance agent, Patrick J. Vandehy, 19th Ext., Forest Grove, Oregon, or phone Forest Grove 2333 for appointment. 521fc

FOR SALE—Real Estate

HOMES
TRADE OR SALE: 4-room modern house, 1 acre land 1/2 mile out. Will trade for home in Vernonia. Price \$4500.

6-ROOM modern house, wired for range. Repair shop and wrecking yard in connection. Located in Clatskanie. Trade for acreage with or without house near Vernonia. Price \$4500.

3-BEDROOM home, wired for range; lots of built-ins. Close in. Price \$3750. Terms.

FARMS
117 ACRES, 60 in cultivation, on Nehalem river, including 5-room modern house, barn and garage. Also irrigation system. Some pulp wood. Price \$13,700 \$5000 will handle.

8 ACRES, borders on Rock Creek, all cleared and level, 2 houses and large barn. Price, \$3500. Good terms. Close in.

SEE ME for farms and acreage. **DON BAYLEY, BROKER**
Palace Cafe Bldg. Ph. HA 9-5225. 1111c

FARM FOR SALE. 1/2 mile north Buxton. 46 acres. Cultivated, 34 acres, 4 acres strawberries. Crops of hay, wheat, and oats in. Three bedroom house, 2 are upstairs. Oil heat. Equipment and stock included. Close to church and school. See owner, Homer A. Bennett, 728 E. Walnut St., Hillsboro, Oregon. 1118

CLASSIFIED RATES

MINIMUM charge 40c for 25 words or less. Words over minimum, 2c each. Three insertions for the price of two.

THE EAGLE assumes no financial responsibility for errors that may appear in ads published in its columns, but in case where this paper is at fault, will reprint that part of an adv. in which the typographical mistake occurs.

BLIND ADS with answers to be handled by the Eagle: Minimum charge 80c. No information given relative to such ads. **NO** information on classifieds will be given out until after paper is mailed.

CARD of Thanks & Notices: 80c. **NO** CLASSIFIED OR DISPLAY ADV. WILL BE ACCEPTED AFTER WED. NOON EXCEPT FOR NEXT WEEK'S PAPER.

WANTED

WANTED: Farm listing, large or small. Have buyers waiting. Ed L. Winter, Realtor, AT 2-7334, 545 N.E. Killingsworth, Portland 11, Oregon. Or call or write M. S. Thompson, farm salesman, BU 9-0577. 121fc

WANTED: Livestock of all kinds; cattle, horses, hogs, sheep. J. W. Johnson, Vernonia, Oregon. Ph. HA 9-5897. 816

HIGHEST cash prices paid for cream and eggs at your door—picked up once or twice weekly—call or write Forest Grove Creamery, Forest Grove, Oregon. Phone 126. 141fc

SERVICES

SUN GLASSES

Your Glasses Duplicated Or New Prescription Made

Dr. Votaw
Optometrist
No Appointment Necessary
Sundland Building

Tuesdays
10:30 to 6:00
Saturdays
2:00 to 6:00 121fc

CHIHUAHUA stud service. A.K.C. registered. Phone HA 9-6901. 1113

SHOE REPAIR SERVICE. Barger, Stoney Point. Or, work can be left at Steer's Variety Store. 281fc

FOR RENT

HOUSE for rent. Wired for electric range. Inquire at 847 Third St. 1313c

APARTMENT, furnished, \$40, unfurn., \$30. Large bdrm., living rm., dining rm. Electric range, automatic water heater. See at 117 North St. HA 9-3642. 121fc

LEGAL NOTICE

NOTICE: The County Court of the State of Oregon for Columbia County, has appointed the undersigned as administrator of the estate of Rexford Arnold Normand, deceased. All persons having claims against said estate are required to present them with proper vouchers to the undersigned at the office of the Vernonia Eagle, Vernonia, Oregon, within six months from the 8th day of March, 1956.

John Normand, Administrator
Gardner and Reeder, Attorneys 1015c

NOTICE OF FINAL ACCOUNT
Notice is hereby given that the undersigned as administrator of the estate of Laura M. Porterfield, deceased, has filed his final account in the county court of the state of Oregon for Columbia County, and that Monday, April 16, 1956, at the hour of 10:00 o'clock in the forenoon of said day and the court room of said court has been appointed by said court as the time and place for the hearing of objections thereto and the settlement thereof.

Dated and first publication March 15, 1956.
Date of last publication April 12, 1956.

Walter O. Porterfield,
Administrator
John L. Foote
St. Helens, Oregon
Attorney 1115c

NOTICE OF FINAL ACCOUNT
Notice is hereby given that the undersigned as administrator of the estate of Andrew M. Parker, deceased, has filed his final account in the county court of the state of Oregon for Columbia County, and that Monday, April 2, 1956, at the hour of 10 o'clock in the forenoon of said day and the court room of said court has been appointed by said court as the time and place for the hearing of objections thereto and the settlement thereof.

Dated and first publication March 1, 1956.
Date of last publication March 29, 1956.

Albert L. Parker, Administrator
John L. Foote, St. Helens, Oregon, Attorney. 915c

NOTICE OF FINAL ACCOUNT
Notice is hereby given that the undersigned has been appointed administrator of the estate of George C. Engelke, deceased, by the County Court of the State of Oregon for Columbia County, and has qualified. All persons having claims against said estate are hereby notified to present the same to me at Post Office Box 651, St. Helens, Oregon, with vouchers and duly verified within six months from the date hereof.

Dated and first publication March 8, 1956.
Date of last publication April 5, 1956.

David B. Williamson,
Administrator
David B. Williamson, Attorney 1015c

NOTICE TO CREDITORS
In the County Court of the State of Oregon for Columbia County.

In the matter of the estate of George C. Engelke, deceased.
Notice is hereby given that the undersigned has been appointed administrator of the estate of George C. Engelke, deceased, by the County Court of the State of Oregon for Columbia County, and has qualified. All persons having claims against said estate are hereby notified to present the same to me at Post Office Box 651, St. Helens, Oregon, with vouchers and duly verified within six months from the date hereof.

Dated and first publication March 8, 1956.
Date of last publication April 5, 1956.

David B. Williamson,
Administrator
David B. Williamson, Attorney 1015c



Office Desk

By Marvin Kamholz

The Vernonia chamber of commerce industrial committee is on the right track as far as its work is concerned in promoting new industry for this community, but there are several more steps that must be taken to carry out a full program.

The outline for a workable program was presented recently at the Oregon Press conference meeting in February at Eugene by Robert McCoy, executive director of the Oregon Development Commission. He was heard here at the membership meeting of this chamber January 6 when he mentioned some of the same points he presented at Eugene.

The outline included:
"1. Present to the general public the basic economic factors bearing on plant location. (Some of these factors have been published in news articles dealing with projects the committee has undertaken in recent months.)

"2. Encourage initiation of realistic development programs directed toward attainable goals and marshal general public support of such programs once they are initiated. (The committee is gathering more and more information about this area with the idea of developing such a program to its fullest extent. A considerable amount of data is already at hand.)

"3. Foster pride in the appearance of the community and in the existence of adequate community services, good schools and hospitals and decent recreational and cultural facilities. (Good schools we have and also many of the services and facilities with the exception of a hospital, but a lack is apparent in pride of appearance, a point that has been discussed in the past. This point has been a topic at chamber board meetings, at Lions club meetings and occupied time at a council meeting earlier this month.)

"4. Impress on the local citizenry the fact that development brings problems and responsibilities along with it. (This is a point that has been emphasized in public meetings arranged by the industrial committee, that if the area is to grow the efforts of many people working together is necessary.)

McCoy said further: "Some communities which have the necessary economic attributes are being by-passed because they look down at the heel, because they are not the kind of place in which industrial executives and employees would like to live."

We don't think that is true to a great extent here, but there is a lot that can be done to improve appearances. Elimination of worthless buildings and improvement of others would be a big step in the right direction that could be made with a little effort on the part of community residents.

This is a project that should receive more attention.

—Office Supplies at the Eagle—

LEGAL NOTICE

NOTICE TO CREDITORS
In the County Court of the State of Oregon for Columbia County.

In the matter of the estate of George C. Engelke, deceased.

Notice is hereby given that the undersigned has been appointed administrator of the estate of George C. Engelke, deceased, by the County Court of the State of Oregon for Columbia County, and has qualified. All persons having claims against said estate are hereby notified to present the same to me at Post Office Box 651, St. Helens, Oregon, with vouchers and duly verified within six months from the date hereof.

Dated and first publication March 8, 1956.
Date of last publication April 5, 1956.

David B. Williamson,
Administrator
David B. Williamson, Attorney 1015c

Bowling Results

WOMEN'S LEAGUE		
	Won	Lost
Sam's Food Store	74	42
Dessy's	69	47
Brunsmann Hdwr.	46	70
Vernonia Drug	43	73

High team game, Sam's Food Store, 830; high team series, Sam's Food Store, 2434; high individual game, Kathy Sauer, 203; high individual series, Kathy Sauer, 552. Splits picked up: Kathy Sauer, 4-5; Juanita Davis, 3-5-10; Hazel Dusenberry, 5-6-10; Lila Rauch, 5-8-10; Dolly Laird, 5-7 and Marguerite Burton, 5-6-10.

INDUSTRIAL LEAGUE		
	Won	Lost
Dessy's	76	40
Mill Market	64	52
Bob's Union	62	54
Long-Bell	30	86

High individual game, H. Fuller, 226; high individual series, H. Fuller, 539 high team game, Bob's Union, 943; high team series, Bob's Union, 2668.

CITY LEAGUE		
	Won	Lost
Oakes	72 1/2	43 1/2
Radiant Cleaners	67	49
Lyle's Barber Shop	51	65
Nehalem Service	41 1/4	74 1/2

High individual game, A. Oveson, 201; high individual series, J. Schade, 564; high team game, Lyle's, 928; high team series, Radiant Cleaners, 2668.

Men Prepare To Raise Nutria

BIRKENFELD — Richard Feakes Jr. is constructing a building for the purpose of raising the new fur-bearing animal, the Nutria. Tom Wage of Jewell has already started a similar project.

Homer Wilcoxon and Pat Cahill are constructing a new chicken house. They expect a shipment of twelve hundred baby chicks this week.

Glen Meier of Jewell is returning to his service duties on Sunday. He had been called home for the funerals of his aunt, the late Mrs. Phil Popham of Eugene, and his uncle, the late Fred Graf of Corbett.

Mr. and Mrs. Lloyd Beach, Mr. and Mrs. A. G. Bellingham, Zella Bellingham, Shirley Berg and Robert Berg were among those who attended the Legion auxiliary crab feed in Clatskanie Monday evening.

Mrs. Reed Holding was in Forest Grove on business Monday.

Mrs. Martha Kalesse was visiting friends in the valley on Friday. She recently returned from California where she had spent several weeks. She plans to return to her home on the Clatskanie mountain from Portland shortly after Easter.

Word has been received of the passing of Myron A. Oviatt, father of Mrs. O. E. Wilbur, former residents of Birkenfeld. He was buried in Portland recently.

Mr. and Mrs. Howard Johnson of Vernonia were visiting in Birkenfeld and also at the home of Mr. and Mrs. Al Soderback of Jewell on Friday evening.

Slips of roses that were received from the county agent were distributed to the members of the Nehalem Valley Garden club at their regular meeting last Wednesday at the home of Mrs. George Mathews of Mist. Tuberosus begonias and other bulbs were the topic of discussion. A delicious lunch was served by the co-hostesses, Mrs. Francis Larson and Mrs. Darrel Baker.

Mr. and Mrs. Richard Paul, Dennis and Diane, accompanied by Lorraine and Patricia Ridout, were in Portland Sunday for the confirmation of Dennis and Diane at the Congregational church.

John Acton is doing some papering at the new home of Mr. Lee Wooden of Jewell.

Week End Visit Made To Former Neighbors

KEASEY ROUTE — Mrs. H. A. DeWitt spent the week end in Salem and vicinity visiting former neighbors and friends as well as attending Sunday services at the Hopewell E.U.B. church.

Ralph Keasey spent his vacation last week with his parents, Mr. and Mrs. Ted Keasey.

A second meeting for the finishing of baskets was held Wednesday, March 21 at the home of Mrs. Larry Brady. Those present were Mrs. Frank Morris, Mrs. Walt Parker, Mrs. Ted Keasey, Mrs. George Martan, Mrs. Herb Counts, Mrs. Ted DeWitt and Mrs. H. A. DeWitt.

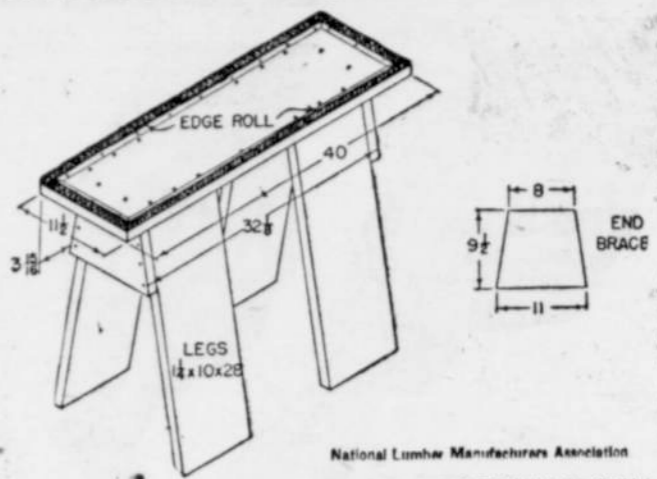
Sell it with an Eagle Want Ad.

HERE'S HOW...

MAKE AN UPHOLSTERER'S BENCH

An upholsterer's bench is a useful device for the home craftsman. Make the bench from one board 1 1/4 by 10 inches by 12 feet (nominal sizes) and another 1 1/4 by 12 inches by 4 feet. Cut the two end braces, as shown, from the 12-foot board, the 9 1/2-inch dimension being the finished width of a 10-inch board. Cut four legs 28 inches long with the top end of each leg cut at an angle so that when joined to the brace, the top ends of the legs and the 8-inch edge of the brace will form a flat surface to which

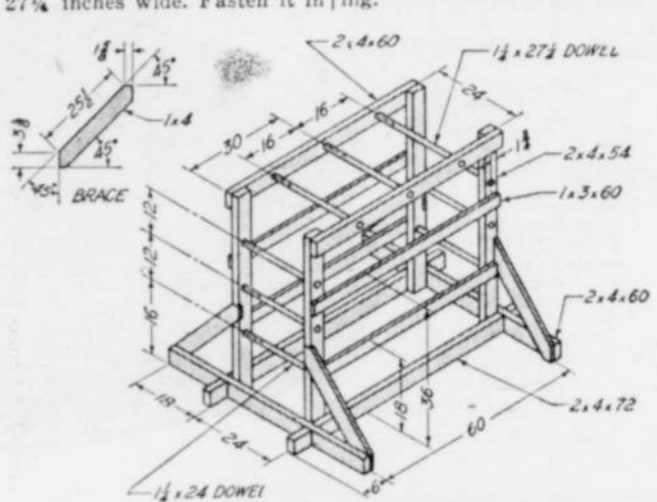
the top of the bench can be attached. Bore the necessary holes and attach one end brace to each pair of legs with 2-inch No. 10 flat-head wood screws, as shown. Cut the top board 40 inches long and center it over the legs. Bore holes and fasten top to braces and legs, as shown, with 2-inch No. 10 flat-head wood screws. Counter-sink all screws. Finish the bench by tacking about 9 feet of upholsterer's edge roll around the edge of the top to protect the furniture to be repaired.



MAKE A BACKYARD GYM

A backyard gym provides fun for small children. Use straight-grained, knot-free lumber. The base frame consists of two 60-inch and two 72-inch pieces of 2 by 4-inch lumber, cross-lapped and fastened with 4-inch carriage bolts. Make two 54-inch ladders, using 1 1/4-inch dowels for rungs, pinned in place with 6-penny finishing nails. Fasten the upright ladders to the base with two 4-inch bolts at each joint. The top ladder is 60 inches long and 27 1/4 inches wide. Fasten it in

place with two 3 1/4-inch carriage bolts at each joint. Counter-bore the holes to recess the nuts. Add the 1 by 3-inch horizontal members, using three No. 8 flathead wood screws, 2 1/2 inches long, at each joint. Cut the braces, as shown, and with saw and chisel make the slots in the uprights. Fasten the braces with three No. 8 screws at each joint. Round all sharp edges and corners by rasping and sanding.

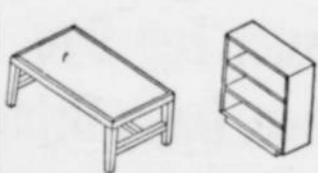


ENAMEL UNFINISHED FURNITURE

The home craftsman can apply a professional looking finish to unpainted furniture. Tools and materials needed are a putty knife, wood filler or wood putty, No. 0, 2/0, and 4/0 sandpaper, steel wool, a 1-inch and a 3-inch good quality paint brush, rags, turpentine undercoater, and enamel. Be sure that paint for children's furniture does not contain toxic materials.

1. Fill nail holes and cracks with filler or putty. Raise dents with a hot iron over a wet blotter.

2. When the furniture and filler are dry, sand with coarse, medium, and then fine sandpaper. Use steel wool on corners. Remove all sand and dust with a rag.

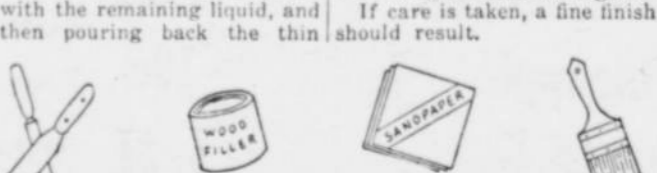


3. Apply finish in a dust-free room of average humidity and temperature about 70 degrees.

4. First apply shellac or varnish-type sealer to the surface of the wood. When the sealer is dry, sand with fine sandpaper, dust surface, and apply enamel undercoater. Both undercoater and enamel should be thoroughly mixed by pouring off most of the thin liquid, mixing the sediment with the remaining liquid, and then pouring back the thin

liquid and stirring slowly. Allow the undercoater to dry at least 24 hours, sand lightly with fine sandpaper, and remove the dust with rags dampened in turpentine.

5. Apply enamel on small and hard-to-reach surfaces, first with the small brush; then use the larger brush on large surfaces. Work from the middle toward the edges. "Flow" the enamel on and avoid brushing as much as possible. Do not let enamel run or accumulate at edges. If care is taken, a fine finish should result.



MAKE A MODERN BOOKCASE SECTION

A modern bookcase can be used in multiple units or with other pieces of the same design to give a built-in appearance. Dimensions can be modified to fit available space. The design can be adapted for other uses such as radio cabinets or curio shelves. Cut parts from 1-inch lumber to desired sizes. Assemble,

as shown, with glue. Rabbit at back 3/4-inch deep and 1/2-inch wide to receive 1/2-inch panel of hardwood plywood, or insert panel and fasten with finishing nails. A frame may be fastened with glue, as shown, around the open face. Sand round exposed corners, and finish as desired.

