

Salmon poisoning disease can kill dogs – take precautions

Dogs that eat even a small amount of uncooked Salmon, Trout, or Steelhead are at risk of getting potentially fatal Salmon Poisoning disease.

The cause is a microscopic organism that sometimes lives in a parasite that can infect the salmon family. The germ is killed by cooking, freezing or hot smoking fish.

If a dog eats infected fish, symptoms start from a few days to five days later. Symptoms include decreased energy level, increased temperature, loss of appetite, swollen lymph glands, vomiting, and diarrhea (turning bloody within a day or two)

If untreated, 90 percent of dogs with symptoms will die within 7-14 days from dehydra-

tion and blood loss.

If caught early enough, Salmon Poisoning is treatable with antibiotics. In severe cases, intravenous fluids may be needed. Get the dog to a veterinarian as soon as Salmon Poisoning is suspected. The longer before treatment starts, the harder and more expensive the treatment will be, and the greater the chances that treatment will not be successful.

If your dog is seen eating fish, talk to your veterinarian about a preventive shot of antibiotics to avoid Salmon Poisoning.

Most dogs are immune to future Salmon Poisoning, once they have had and survived it. Special emphasis on MOST, not all dogs develop immunity.

Preventive measures include disposing of raw fish waste in a can with a tight fitting lid, leaving dogs home

when fishing, or leashing dogs when near water.

Veterans benefits and job fair date set

From page 1

mated by the Department of Veterans Affairs that Iraq and Afghanistan veterans are becoming homeless within three years, compared with 13 years for Vietnam-era veterans.

The Veterans Administration and many other governmental, community-based agencies and employers will be attending and providing a host of services and information which will include health screenings, job opportunities and the chance to register with the VA for medical care and other benefits.

“The Willow Creek Center was chosen as the site because of its central location within the County and access to transportation services provides an opportunity to reach as many veterans and their

families as possible,” said Eric Belt, Veterans Service Supervisor for Washington County.

For more information, call 503-846-3060.

Letters

From page 3

the criminals and thieves will conduct their business somewhere else.

If this County does not have a properly functioning Sheriff's Office and the current use of force laws stay in effect, then in my opinion the “Lone Ranger” Deputy on patrol will be spending most of his or her time arresting citizens that will take the law into their own hands by misguided advice from Sheriff Dickerson. The average citizen will then be the “More Violent” criminals the Sheriff's Office will have time to arrest and the bed space in our jail to house them.

The people of this County have all the power in their hands, not the Commissioners and not Sheriff Dickerson! They are elected by the people and for the people! As the City of Vernonia knows firsthand, if we don't like what our Commissioners and our Sheriff are doing for this county we can replace them. We have the power to make them properly fund the CCSO or change the use of force laws.

Properly fund the CCSO or provide new ordinances that allow the citizens to legally protect themselves and their property with the use of force including deadly force. Do so without criminal prosecution for the use of deadly force under our current laws! Then we will see how long the criminals and thieves work in Columbia County. If the Commissioners don't want to do either of these things and ignore the problem, then maybe a recall is in order.

It is time to make our elected officials do their jobs or we will replace all of you with someone that will! It can be done! All we have to do is stand together as a community and hold them accountable for their actions! It's

not rocket science, its politics. There are 49,351 County Residents vs. 3 County Commissioners, and 1 Sheriff. I think the odds are slightly in our favor! 13 colonies took on the strongest nation in the world and won by the power of the people standing as one. Taking on three Commissioners and a Sheriff should be a cake walk if we stand together and demand funding, accountability, or change the use of force laws!

**Michael Botchie
Rainier**

From the Sheriff's Desk . . .

From page 19

we have, the more staff we need. The more inmates we have, the more we have to pay for medical expenses, food expenses, water, sewer, clothing, visiting programs, etc.

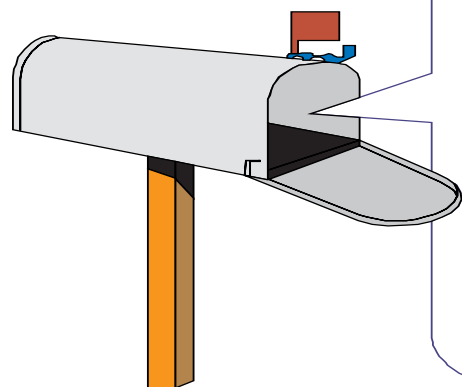
Budget cuts have produced the loss of five positions in the jail over the last three years. Operational costs have risen beyond the county's ability to pay for them with the jail at – or near – capacity.

The good news is that we have been able to rent beds to the federal government, which helps offset the costs to the county to provide beds. If we were to lose or cut back U.S. Marshal beds to any extent, we would lose more

staff and more capacity to hold local offenders.

I am committed to working through the difficulties this will present to our communities. As your elected sheriff, I know how budget cuts in your own lives have affected your lives. You take what's left and do the best you can with what is left.

I am devoted to that same philosophy. We will not give up. We will continue to take as many as we can in our jail and respond to as many criminal calls as we can with the few enforcement deputies we have left. We will do our best to serve you, and hope for the best and for your patience in these difficult economic times.



Want to know what happens around here all year? Get The Independent delivered to your home for a year for only \$20.00 Call today to start your subscription 503-429-9410

WEATHER REPORT AUGUST 2011

DATE	TEMPERATURE		PRECIP. AMT.
	HI	LO	
1	81	43	--
2	77	45	--
3	79	46	--
4	77	48	--
5	70	55	--
6	68	50	--
7	72	50	--
8	68	53	--
9	65	54	--
10	75	45	--
11	74	47	--
12	76	45	--
13	70	47	--
14	66	47	--
15	74	47	--
16	80	40	--
17	77	38	--
18	74	46	--
19	77	42	--
20	91	42	--
21	87	46	--
22	78	54	--
23	80	57	--
24	85	55	--
25	84	52	--
26	84	50	--
27	83	47	--
28	79	47	--
29	72	55	--
30	65	55	--
31	65	50	--

Temperature and precipitation amounts are from the official U.S. weather station at the Vernonia water plant. There was no measurable precipitation in August.