

Salem Scene

From page 3

A number of legislators from both sides of the aisle have spent the interim studying the problem, trying to devise a way to level the peaks and valleys of our budgetary landscape. The current situation, besides being a nightmare for schools, human services and public safety, creates cynicism and distrust among the taxpaying public. Eleven bills have been introduced so far to address the kicker, and while they range all the way from outright repeal to minor tweaking, it's pretty likely that something will be referred to the voters for their consideration.

Several bills would require that half the personal kicker refunds be placed in a constitutionally protected rainy day fund and half would be returned to the taxpayer. Here are some other proposals included in the bills introduced thus far:

- Impose a state spending limit based on population growth and inflation.
- Cap the rainy day fund at either 12% or 25% of the general fund.
- End the corporate kicker with all refunds directed to a reserve fund for higher education.
- Limit refunds to only those taxpayers who file returns for tax years that "kick".

Depending on your outlook, there is something here for almost everyone to either love or hate. So now it's your turn...assuming that the status quo is a poor way for our state to do business, what are your feelings about the kicker refund? Do you think at least some of it should be diverted into a rainy day fund? How about

a state spending limit...good idea? Many constituents have already written to suggest that their paramount concern is that the Legislature deliver a balanced budget as soon as possible. Let me know what you think.

In the District...

Last week we had the pleasure of recognizing some local heroes for their volunteer efforts throughout South Columbia County. This week, we want to recognize a musical star who lives in Scappoose, "Sweet Baby James" Benton. Some years ago, he invited Esperanza Spalding to play with his wonderful band, giving her a springboard to the wider musical world. Lo and behold, Esperanza won this year's Grammy Award for Best New Artist. Congratulations to you both... we love your music and your community spirit!

Bills of Interest...

Before I list these bills, I'd like to clarify my purpose for including them in my newsletter. It isn't because I think they are the most important bills in the Legislature or that I even agree with their intended outcomes. Rather, I list bills that I think might strike a chord with some of my readers or perhaps adversely impact the interests of some of my constituents. Either way, this is my attempt to keep you apprised of what's going on in Salem, with the thought in mind that some of you might want to weigh in on a bill or two. Upon occasion, I even list bills that I feel merit attention simply for the good things that they bring us, like the honor,

recognition and support of our military veterans. Let me know if you find these listings useful.

Here are some newly introduced bills:

Ø HB 3365 Requires acceptable evidence of residency for persons registering to vote in this state for the first time.

Ø HB 3362 Allows sponsor and public charter school to enter into cooperative agreement with other school districts for purpose of forming partnership to provide educational services.

Ø HB 3416 Establishes World War II Memorial Task Force for development, design and construction of memorial to honor Oregon's World War II veterans.

Ø HB 3504 Authorizes civil forfeiture of motor vehicle if person is convicted of offense relating to driving while suspended or revoked.

Ø HB 3535 Requires State Dept. of Energy to adopt energy performance rating system.

Finally, I hope you are staying warm and safe during this crazy weather. Thanks for taking the time to read my newsletter. Have a great weekend!

Ike Says . . .

From page 2

trappers, many of which were turned in for bounties.

One article that really caught my eye was on the Nehalem River, by John Gill. Mr. Gill roamed the entire state and would develop articles on entire stream basins, which were then published in *The Oregon Sportsman*. Following are excerpts from Mr. Gill's article on the Nehalem River.

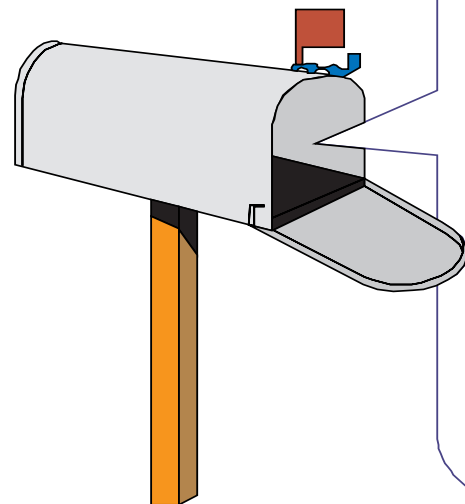
"This is the largest river of Oregon save those whose sources are in the eternal snows of the Cascade Mountains. The Nehalem from source to outlet is a hundred miles in length. The main stream rises in the high mountains in the northeast corner of Tillamook County, flowing thence eastward through Washington County and north into Columbia County, where it makes a great semi-circle, and at the mouth of the Fishhawk, on the line between Columbia and Clatsop Counties, turns southwestward, and enters the sea exactly to westward of the source above described.

"Until the completion of the railroad in 1912, the upper waters of the Nehalem were rarely visited by anglers, but the Salmonberry has become a favorite with our fishermen, and furnishes rather meagre entertainment for numerous travelers who cannot resist the beauties of the stream, seen at its best from the railroad, winding down seaward amid magnificent mountains and forests.

"Rock Creek, a large tributary flowing north from the central source of Nehalem, is one of the wildest streams of the northwestern Oregon. It is inaccessible by road except from the valley of the Nehalem at Vernonia. Its course is among high mountains and solemn forests, and the stream is deep, clear and strong. The mountain sources of the upper Nehalem carry the winter snows till late in the spring, so Rock Creek and the east and main fork are too cold for fly-fishing till the summer is well advanced.

"The fall and winter fishing on the Nehalem and its western tributaries is magnificent, as also on the rivers to southward-the spritely "quinna" silverside and chum salmon being very abundant; and in November and onward through winter the run of steelheads is of the finest quality."

It must have been a totally different world back then and by reading these articles it is easy to see the change that has taken place over time.



Want to know what happens around here all year? Get **The Independent** delivered to your home for a year for only **\$20.00** Call today to start your subscription **503-429-9410**

Izaak Walton League, Nehalem Valley Chapter

meets monthly on the 3rd Thursday at 7:00 p.m. Call 503-429-7193 for location.