

From the Sheriff's Desk . . .

From page 19

of our citizens to understand our limitations and to work with us to solve problems in our community, and I commend these citizens for acting wisely and with caution in helping us apprehend these individuals.

Citizens are reminded that they should use extreme caution in confronting individuals suspected of committing

crimes. Often these are desperate individuals with not a lot to lose. If they think they can elude capture by injuring you, they will often do it. In both these cases, citizens worked with their Sheriff's Office to bring a satisfactory conclusion to these events.

These are the kinds of partnerships we want with our citizens. One that gets the job

done, yet upholds the rights of all people, including the accused. Deputies in recent months have been able to hone their skills at conserving the peace and upholding rights, even in the most extreme of circumstances.

We stand with you to be that presence and solution to difficult public safety problems as quickly and thoroughly as our

resources allow us and as you can work with us. We are a

team!

Demolition of flooded homes explained

From page 20

Local, clean fill will be used whenever possible and taken from other locations within the floodplain.

Custom Excavating has been offering recycling and recovery services for ten years and has built a solid reputation in reducing landfill waste. It is clear that the company and its employees care about what they are doing and how they leave the site. They seem committed to get a site as clean as possible before moving on to the next project. They've invested time in our community and have been giving back by allowing people to have many

of the salvageable items at little or no cost. If you'd like additional information about them, visit their website at <http://www.trailsendrecovery.com/Home.html>.

While the demolition is a fascinating process to watch, it's also sad to see some of our older homes disappearing. On the upside, we're gradually clearing the flood plain to make our town more resilient and at the same time creating some awesome park space for the next Friendship Jamboree. There'll be many new places to sit and enjoy a meal, beverage and the view.

Remember, our contract with the demolition contractor

gives all salvage rights to Custom Excavation. That means the salvage value of each component of the property belongs to them. Taking anything from one of the properties to be demolished is theft. Those interested in obtaining salvaged components must contact the contractor for permission and sign a release, before taking anything off the property. If you have questions about the deconstruction or demos, call Alex Raichl, Custom Excavating at 503-741-6867, or Jamie Jones at CAT, Inc., 503-429-4948.

Letters

From page 16

quired for virtually all new mortgages within flood plains, this loss would have serious negative effects on the real estate market and make all the homes built in the flood plain immediately obsolete. This would do much more harm to the City's tax base than the current program.

The County-sponsored recovery program, assisted by the City and Community Action Team, helps owners facing financial ruin and shields the City from this very ugly enforcement action involving devastating unreimbursed losses to dozens of homeowners.

**Jim Tierney, Deputy Director
Community Action Team, Inc.**

It's not too late to make a difference!

To the Editor:

You can still make a donation/pledge that will help change a life. Every donation helps.

The United Way of Columbia County is nearing the end of its campaign (March 31, 2011) and we find ourselves a little short of our goal. We are currently at 75% of our goal of \$302,011.00.

What does not reaching our goal mean?

- It means many people in Columbia County will not receive the help they need when a crisis arrives.

- Seniors may go without home-delivered meals.

- Children and families may not receive needed food, utility or housing assistance.

- There will be less training and housing options available for the disabled.

This year our community partners are experiencing as high as 36% increase in requests for food, shelter and utility assistance. Our goal is to Give a Hand Up to the People in our Community in times of crisis and assist them in returning to or becoming healthy and productive.

What can you do to help?

- Make a donation/pledge to the United Way of Columbia

County today. Any amount is appreciated and will help support the many health and human service programs that your local United Way funds.

- Become a United Way Volunteer.

To make a donation, mail to: United Way of Columbia County, P.O. Box 538, Rainier, OR 97048

Or call 503-556-3614, and we will send you information.

Or go online to www.unitedwayofcolumbiacounty.com for a donor form, or use the DONATE NOW button.

All contributions stay in Columbia County to help Columbia County residents.

Thank you for helping change lives in our community.

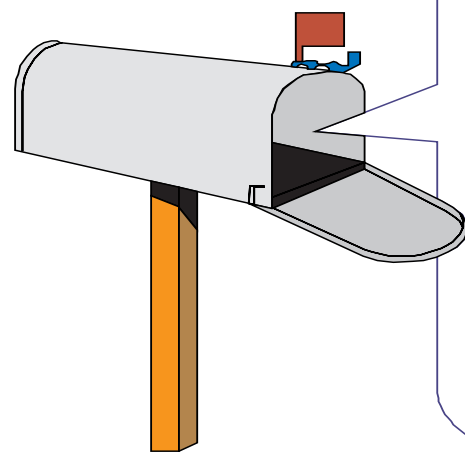
**Kathy Beck
Executive Director
United Way of Columbia
County**

WEATHER REPORT

JANUARY 2011

DATE	TEMPERATURE		PRECIP. AMT.
	HI	LO	
1	37	17	--
2	39	20	--
3	39	16	--
4	33	17	.22
5	37	30	.12
6	42	35	T
7	43	32	.22
8	39	29	.19
9	38	27	.23
10	39	24	--
11	34	24	.38
12	41	32	1.25
13	54	38	.03
14	55	40	.03
15	52	49	1.59
16	55	50	.50
17	50	36	.15
18	41	37	.23
19	43	28	.02
20	38	32	.20
21	44	37	.12
22	46	33	T
23	49	32	.05
24	51	36	T
25	49	36	T
26	57	31	T
27	53	31	--
28	49	30	.02
29	52	38	T
30	49	39	--
31	42	36	.07

Temperature and precipitation amounts are from the official U.S. weather station at the Vernonia water plant. Measurable precipitation in January totalled 5.62 inches.



Want to know what happens around here all year? Get
The Independent
delivered to your home for a year for only \$20.00
Call today to start your subscription
503-429-9410