

Chalk Talk

From page 11

What are the potential sources for that funding?

We have to and we will raise the money. The Oregon Solutions Team is still working on our behalf to secure stimulus funds and other funding resources to help construct new schools in Vernonia. The Team has made arrangements with the Ford Family Foundation to meet with a number of different philanthropic organizations to show them our new school concept when it is ready later this summer.

On the grant front, we recently were notified of our eligibility for a \$100,000 energy grant which would help pay for some of the green aspects of our new schools. We also applied for a \$750,000 energy grant to provide more effective lighting options in the school. These are the types of grant and stimulus funds the district is seeking and will continue to seek. We also are working closely with our legislators in Washington, D.C. on a bill that could



VERNONIA INN
Enjoy a quiet weekend with us.

**FULL SIZE, IN ROOM
HOT TUBS**

Queen Beds • Private Bath • Separate Entrance
Cable TV • Phones • Handicapped Access
• Commercial Rates

FOR RESERVATIONS CALL

1-800-354-9494 / 503-429-4006

Gift Certificates Available

900 MADISON AVE., VERNONIA, OR 97064

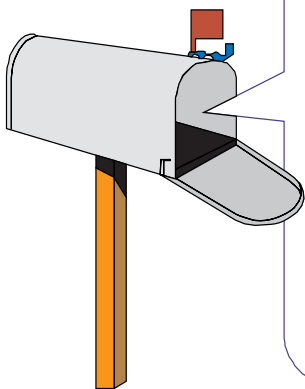
Just one block off scenic Nehalem River Hwy. (Oregon 47)

Want to know what happens around here all year? Get

The Independent
delivered to your home
for a year for only
\$20.00

Call today to start
your subscription

503-429-9410



provide even larger sums of money for schools that have been hit by natural disasters.

To summarize, we are leaving no stone unturned in obtaining the funding needed beyond the \$13 million bond Vernonia voters will be asked to consider November 3.

What happens if Vernonia doesn't raise enough money to build a new school campus?

Nothing. We are living that scenario in our schools now.

For the past two years no teachers have left the district. Normally anywhere from five to ten teachers leave each year. The current economy may have some impact on their decision to stay, but there is no doubt in my mind that the greater reason is their commitment to our students and their hopes for the future. They have hope in the future of this community and a desire to be a part of our new school, a school they are helping to design. They want to see their dreams and ideas come to life.

If we don't raise enough money to build new schools, and I'm talking all of the money, not just passing the bond, then we, and the governor, and our D.C. delegation, are in effect pronouncing a death sentence on Vernonia.

Besides a safer location for our students, what other benefits does a new school campus offer the residents of this community?

As I mentioned earlier, I believe a new campus would have a positive impact on Vernonia's economy. As a community, we have been in the national spotlight as a positive example of what can be done when community members pull together after a disaster. We can do the same for designing the kind of rural school buildings that will take Vernonia into the future, buildings that could be used in various ways as a very real part of the community's life and livability.

We are working with different local agencies in the community to develop ways to use the schools year round for the benefit of the community. One example is the concept of a shared community garden. The architects are looking at ways to incorporate a greenhouse into the plans and have even mentioned the idea of an orchard. These kinds of ideas would not only help provide for the community, but would also be viable, real life learning experiences for our students.

Boys & Girls Club benefited from party

If you heard a lot of laughing and the sound of large splashes coming from the direction of the city of Cornelius, on June 20, you were not imagining things.

Citizens and Community Leaders joined together in the parking lot of Murphy's Furniture to have some good old-fashioned fun in celebration of the beginning of summer.

Hands down the #1 attraction was the newest addition to this second annual Celebration – The Celebrity Dunk Tank, brainchild of the event coordinator Mary Murphy. It's hard to say who was the biggest draw – was it Mayor Bill Bash? City Manager David Waffle – Cornelius Police represented by Sergeant Schmid or Commander Jensen – Local Business owners Tom Evans of Grande Foods or Bascos' Daniel Dominguez – Principal Martinez of

Echo Shaw Elementary – Cornelius Fire, represented by Joel Peterson or Robert Conrath – Maria Aguilar of the Cornelius Library or Free Orchards Elementary Kindergarten Teachers Crystal Bayley or Amber Vanzant. Whoever took the fall most often, all should be commended for their bravery against the chilling depths of the tank.

The light mist ended up being a bonus for those who ventured to climb and conquer the monster slide, giving it even more speed with a bit of a splashy ending.

The artistry demonstrated on the beaming faces of wee attendees, courtesy of The Boys and Girls Club face painting, provided a fine substitute for the absent sun.

Squeals of success emanated from the coin toss produced by Friends of the Cornelius Li-

Latex disposal

From page 8

fluorescent lamps and ballasts, items containing mercury, medical sharps, and small arms ammunition. No containers larger than five gallons accepted.

Standard household garbage and latex paints are not accepted at HHW events. At this time, the Transfer Station does not accept radioactive material at HHW collection events or during regular operations.

Recycle. Electronic waste (i.e. television, monitors, cell phones, etc.), antifreeze, used motor oil and automotive batteries as well as glass, cardboard, plastics, and metals can be recycled at the transfer station anytime.

Pet safety tips

From page 9

The 4th of July is also a good time to make sure that your pet is wearing an ID collar and is microchipped.

The Oregon Veterinary Medical Association is a non-profit organization of veterinarians who are dedicated to helping people give their animals a high quality of life.

brary, as treasures were toted away.

Appetites worked up by the variety of activities were satisfied by the tasty feast of dogs and chips prepared by the Sports Look all volunteer crew and courtesy of the generous donation of all the food by Grande Foods, plus the hundreds of cupcakes that were consumed by the many winners of the ever-popular cake-walk.

Though the weather wasn't idyllic, Murphy's Furniture feels the event was a great success and thoroughly worth the investment of time and money. Right now it is more important than ever to appreciate family and community and celebrate the positive. Just one more way to say "Thank You", as well as raise money for a very good cause – the local Boys and Girls Club.