

9th at Pine

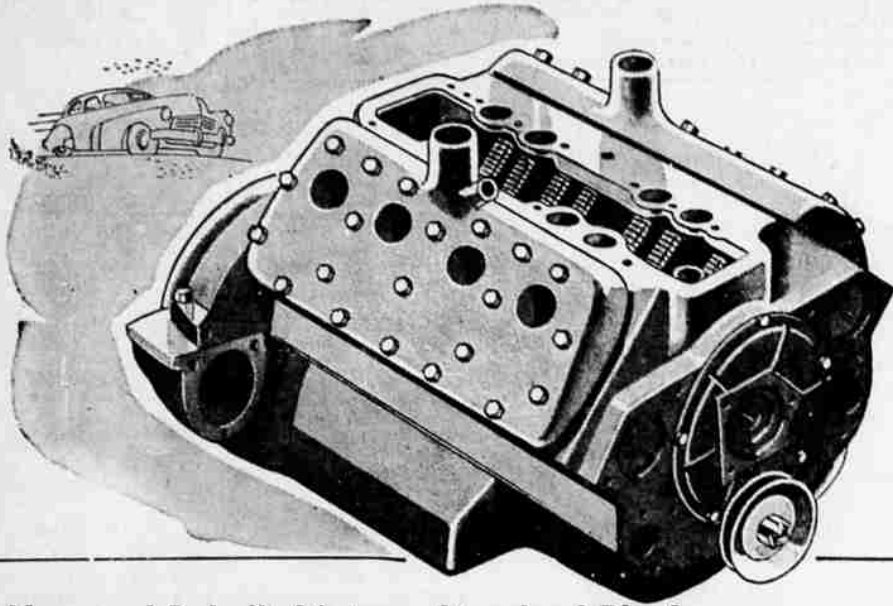
STORE HOURS: 9:00 a.m.-5:30 p.m.

Phone 3188

Montgomery Ward

# WARD WEEK

Use your credit at Wards . . . pay later from income.



### New and Rebuilt Motors, Standard Blocks

For Ford V-8, Mercury, Chevrolet, Plymouth, Dodge, Chrysler and DeSoto. New Standard Blocks with new pistons, rings and pins! New timing gears! New rod and main bearings! For new motor performance get this Ward motor! New motor guarantee! Immediate old motor allowance!

As Low As **10<sup>00</sup>** Monthly  
On terms: 10% down, balance monthly



### SALE! ONE-WHEEL AUTO TRAILER **64<sup>88</sup>**

750-lb. capacity! 53 x 48 x 11 inch, all metal body. Complete with coupler.



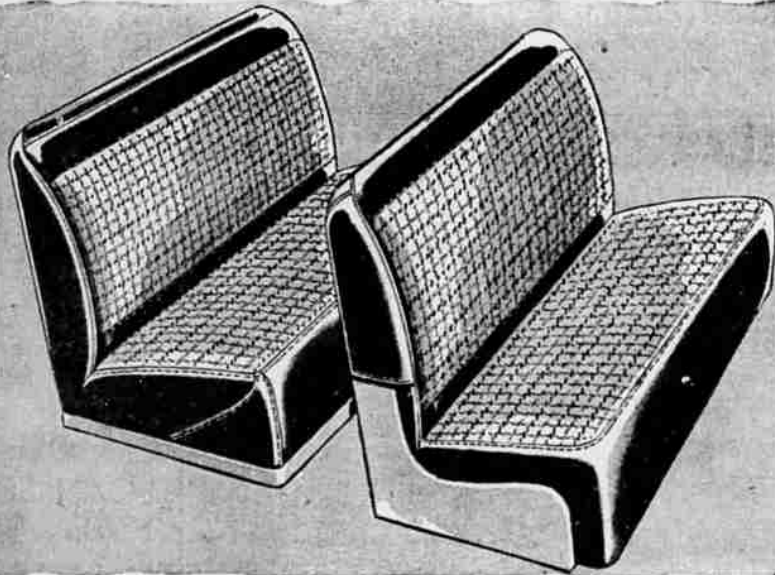
### MOTOR OIL SALE! WARD'S VITALIZED **4<sup>55</sup>**

Fed. tax incl. Stock up now, save! Improves lubrication, cuts motor wear, repairs!



### "SEA KING" 3 H. P. OUTBOARD MOTOR **84<sup>88</sup>**

Reg. 92.50 It's the twin with the simplified controls, full pivot reverse. SAVE NOW!



### All Wards Seat Covers Reduced!

Get a set now . . . at Wards LOWEST PRICE IN YEARS! Wards BETTER quality . . . harmonizing plaid fiber with cloth and leatherette trim! Smooth fit! Soil and fade resistant finish!

Sedans **13<sup>88</sup>**

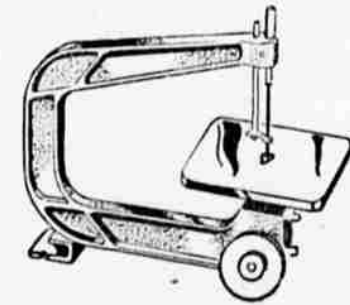
● Sale! Covers for front seats **7.88** ● Sale! Covers for coupe **7.88**

Use Wards Monthly Payment Plan



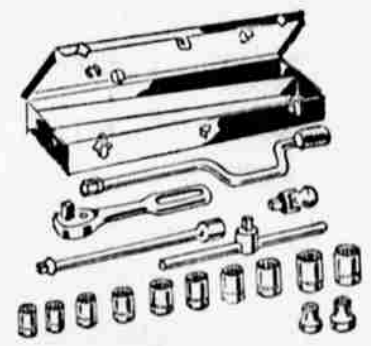
### NEW 22-PIECE ELECTRIC DRILL SET **16<sup>95</sup>**

1/2" capacity. Drills for wood or metal from 1/16" to 1/2". 110V AC only.



### REGULAR 13.95 12-IN. JIG SAW **12<sup>88</sup>**

Cuts wood, metal, or plastic! Table tilts 45°. Use with 1/4 HP motor. Save!



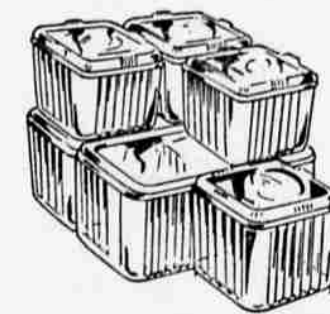
### 18-PC. SOCKET SET **13<sup>88</sup>**

REGULARLY 15.95 Set includes 1/2" sq. drive, 12 sockets from 7/16" to 1 1/4" and accessories.



### SPECIAL SALE! CARPET SWEEPER **7<sup>97</sup>**

Streamlined case, protective bumper, rubber tires. For thick or thin rugs.



### REG. 1.39 12-PIECE REFRIGERATOR SET **99<sup>c</sup>**

2 large and 4 small clear glass containers for storing foods! With covers!



### 6.98 20-PC. RAINBOW DINNER SET FOR 4 **5<sup>99</sup>**

Blue, green, yellow, coral . . . 1 complete place setting in each lovely color!

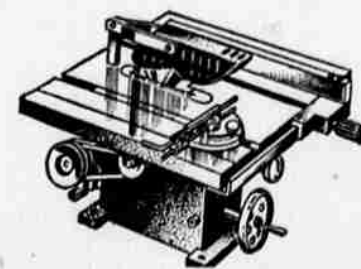


Sale! Reg. 11.95

### 53-Pc. Semi-Porcelain Service for 6 **9<sup>97</sup>**

You'll never tire of the colorful rose pattern, and laurel-leaf embossed border. 6 each dinner and bread-and-butter plates, cups, saucers, soup, and sauce dishes; 1 platter, vegetable dish, creamer, and covered sugar.

On Terms: \$1 Down, \$5 a Month



### REGULAR 50.75 8-IN. BENCH SAW **46<sup>88</sup>**

17x20" table tilts 45°. 2 3/4" depth of cut. Use with 1/3 HP motor. Save!



### EQUIPPED MODEL HAWTHORN BIKES **40<sup>88</sup>**

Reg. 46.95 Sleek new Hawthornes for '48. With Delta Airline headlight, carrier. Save!



### NOW SALE PRICED! DOOR-EDGE MIRROR **1<sup>48</sup>**

High quality mirror, chrome plated frame! Adjustable head. Buy now!