

Powell Street

Quality  
and  
Service

Phone - 661

# METZGER BROS.

—Invite you to their New Display of—

## MONOPOLE

Powell Street

Quick Delivery

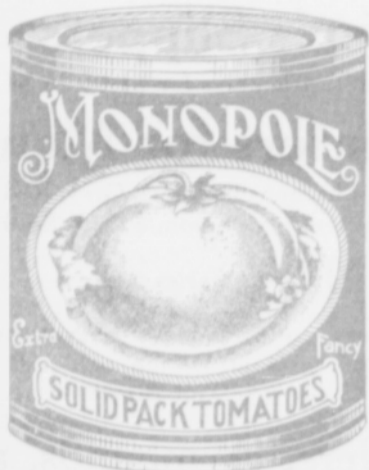
Order by Wire

Phone - 661

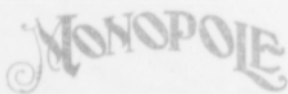
### Table Foods in Glass Cans and Cartons

#### Canned Goods

Under Monopole label are selected with a care equal to Home Canned Foods. The variety is unlimited, the quality unsurpassed.



- |                  |                |
|------------------|----------------|
| Asparagus        | Sweet Corn     |
| Tomatoes         | Sweet Peas     |
| Baby Beets       | Hominy         |
| Spinach          | Kraut          |
| Stringless Beans | Sweet Potatoes |
| Pumpkin          | Dill Pickles   |
| Succotash        |                |



On Any Label means  
**PURE FOOD**  
Fit for Any Table

#### Pastry, Sweets

- |              |                |
|--------------|----------------|
| Mince Meat   | Figs and Dates |
| Apple Butter | Nut Meats      |
| Boiled Cider | Spices         |
| Raisins      | Extracts       |
| Dates        | Palm Pudding   |

Tropical sunshine brought to your home, in fruits put up in the most favored districts and ready to serve on your table in midwinter.

The most distant districts have been searched to provide you with vegetables that have reached a perfect condition before being offered for your dinner table.

Even the sea has been forced to give up its toll to satisfy the human desire for dainty shell fish—prepared in the most Sanitary Way and ready to play their part in the good cheer that comes to most of us as the year draws to its close.

We have lately rebuilt the interior of our Store and have made of it an ideal PURE FOOD GROCERY.

People have a right to be particular about Food Stuffs—and with that idea in mind WE are prepared, with all that is clean and wholesome to offer you a superior stock from which to make your selection.

#### Shop Early

Holiday Groceries are not always in unlimited supply—Stocks are in splendid shape from which to select now.



#### Christmas Goodies

We have them to meet every requirement for your Christmas Dinner. A visit to our Store will help to make your shopping Easier.

#### If Everybody

Understood—  
They would use no other  
Table Food but

### Monopole

#### For Salads, Soups etc.,

#### Monopole Brand

- |         |                |
|---------|----------------|
| Shrimp  | Soups          |
| Lobster | Oysters        |
| Clams   | Mushrooms      |
| Salmon  | Salad Dressing |
| Crab    |                |

#### Delicious Fruits in Tins

- |           |              |
|-----------|--------------|
| Pineapple | Strawberries |
| Apricots  | Raspberries  |
| Peaches   | Loganberries |
| Pears     |              |

Each variety canned were grown and only the choicest are selected for the Monopole Brand.



#### Fancy Glass Goods

- |                          |                  |
|--------------------------|------------------|
| Queen Olives             | Olive Oil        |
| Ripe Olives              | Salad Oil        |
| Stuffed Olives           | Strained Honey   |
| Prepared Mustards        |                  |
| Peanut Butter            | Jams and Jellies |
| Sugar Butter             | Fancy Pickles    |
| Catsup and Sauces        |                  |
| All in Monopole Quality. |                  |

Metzger Bros. Have the Quality Line - Metzger Bros. have Quality Service

Metzger Bros. Charge no Extra for Either

#### CHRISTMAS IN BETHLEHEM.

No place in all the world has a greater interest in the Christmas season than Bethlehem. The normal population of the town where Christ was born is less than 5,000, but during Christmas week it becomes a great cosmopolitan center of 20,000 or 30,000 souls, all eager to pay homage to the place hallowed by the Saviour's birth.

In Bethlehem people are brought free to face with the wonderful scenes which are but feebly known to the rest of the world. Here they may see the place where the three wise men of the east halted after their long journey. Here they worship the shrine housing the manger in which Christ was born.

They walk along the same road followed by the Virgin Mary in her journey to the ancient city. They see buildings and ruins which the eyes of the infant Christ rested upon. The tiny city, crescent shaped and beautiful to look upon, teems with the realities which the rest of the world celebrates.

#### IN FRENCH CHURCHES.

Christmas Mass Always Well Attended—Services Are Unique.

In Paris Christmas day is kept as a religious festival, and many who never dream of going to church on any other day in the year make it a point of attending mass on le Jour de Noel, and the blaze of the tapers falls on crowded congregations, men, women and children, kneeling, sitting and standing in the wide nave of the Madeleine and Notre Dame.

Midnight mass is held on Christmas eve. A waxen image of the infant Saviour lies upon a little hatch of real straw in a cradle built of miniature stones. The Virgin mother kneels over the child, and to quote a verse from one of the quaintest old carols:

St. Joseph, too, is near to guard the child,  
To watch him and protect his mother

Often the three wise men are added, bearing offerings in their hands.

#### Christmas Dawn



By EDWIN L. SABIN.

Copyright, 1913, by American Press Association.

HOW sweetly rests this winter night  
Upon a waiting earth!  
Until the lift of Christmas light  
Shall spread the Christmas birth,  
The curtain of the dawn be drawn,  
And sleeping hours afar  
Shall wake to read in radiant dawn  
The message of the Star!

The dawn goes marching from the east  
Across a snowy world,  
To usher in the Christmas feast  
North Christmas frosts unfurled,  
Now swiftly on the glory spreads,  
The miracle fulfilled,  
To bring a herald heralded heads  
And come by Christmas thrived.

Behold it sweep a mighty band,  
Long banners of hotting snow;  
From whitened firs to where mistal sand  
The poinsettias glow,  
On English church and tile it lies,  
Chast and but forlorn,  
And frozen steeps and tropic skies  
Acclaim the Christmas morn.

No region too remote for this,  
Too difficult no tongue,  
The Christmas wreath, the Christmas  
kiss,  
The Christmas music ring  
No heart with grace so incomplete,  
No head with age so gray,  
No heart so poor it does not greet  
The dawn of Christmas day.

#### THE PRESENT.

Remember that man's life lies all within this present as 'twere but a hair's breadth of time. As for the rest, the past is gone, the future yet unseen. Short, therefore, is man's life and narrow is the corner of the earth wherein he dwells.—Marcus Aurelius.

#### CHRISTMAS IN OTHER LANDS.

Many American children of foreign parentage know something of Christmas customs in at least one European country, having been told by their elders, but for the most part our boys and girls know little of the day except in their own land.

In Spain it is the custom to let out of prison many of the short time prisoners on Christmas eve, also to permit a few of the soldiers to go home on furlough. Only blood relations eat in the house on Christmas eve or Christmas day. It is a general belief that ere midnight on Christmas eve the Virgin comes, bearing a blessing. There is a midnight mass in the churches, and other masses follow.

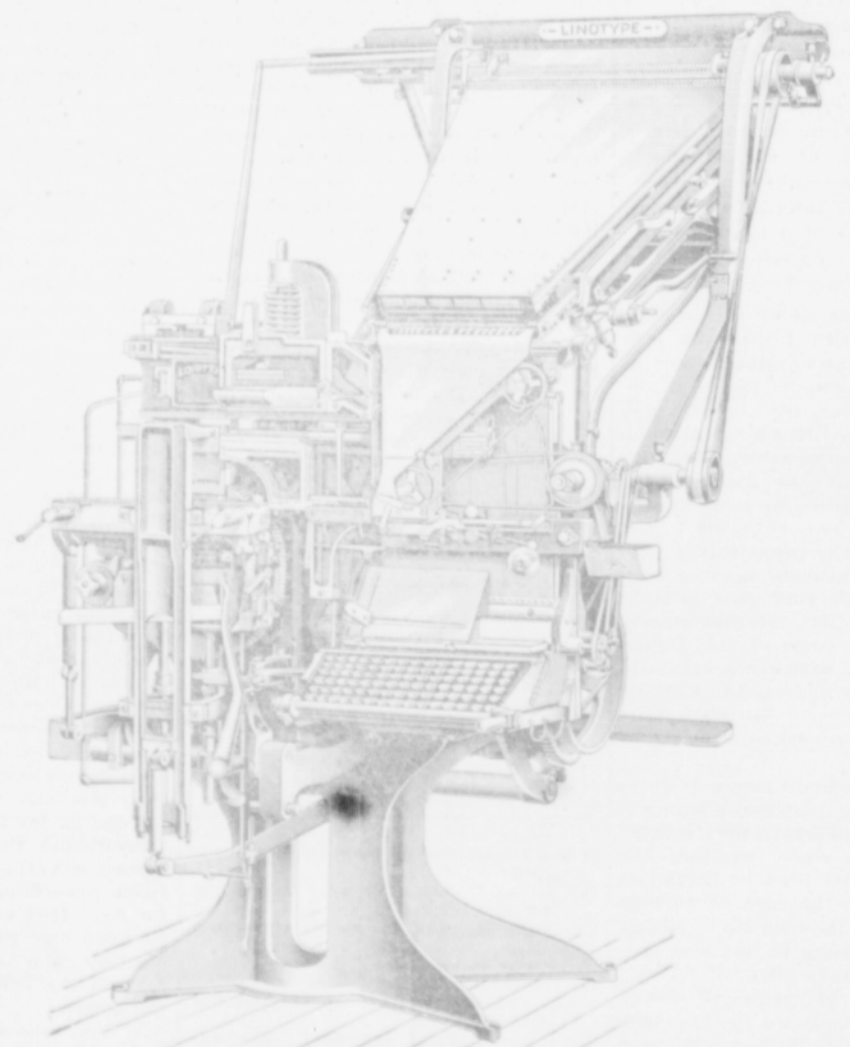
A few years ago in England it was the custom after the Christmas dinner to pull bonbon crackers and to wear the grotesque caps and masks that came with them. In other ways the celebration is very much as with us.

Good cheer is the rule in Ireland, and holy and try are seen on every hand. A midnight mass is celebrated, and masses follow through the night and morning, all of which are largely attended. The religious element predominates. Rich and poor alike have goose for their Christmas dinner. The day following Christmas is devoted to athletics, fun and frolic.

The celebration of Christmas is not general in Japan, yet the Japanese have a Santa Claus of their own. He is the god Hotei, and he is supposed to give good things to the children not on one day alone, but the year around.

#### Christmas Fortune Telling.

Bachelors and spinsters in Bohemia desirous of seeing the features of their future matrimonial mate cut a hole in the ice of a river or pond at midnight of Christmas eve and peer into the black water beneath. It is the belief that the face of the one the experimenter is to marry will then become visible as in a mirror. A combination of faith and imagination is necessary to make the spell work successfully.



Two-Magazine Model K Linotype

### The Outlook Printing Plant

Is well equipped for Job and Book printing of all kinds. Write or phone us your needs. Prompt attention given all orders, large or small. Phone 701.

The above cut shows our new Standard Linotype Composing Machine. It is one of the greatest inventions of the age. You are invited to call and see it.