

**Advise Women of Middle Age**

Brea, Calif.—"I had just reached middle life and was on the down grade. My health was failing and I had hot flashes, together with pains and backache. I was very miserable indeed. I just happened to see an advertisement in our newspaper and sent to the drug store for a bottle of Dr. Pierce's Favorite Prescription. It was exactly as represented. The pains and backaches disappeared, also the hot flashes and I have gained in health remarkably while going thru the much dreaded 'change.' I wish I could tell my experience to every suffering woman."—Mrs. Lillie King, c/o Gen'l. Del. Liquid or tablets. All dealers.



**Indispensable**

A safe, soothing and healing dressing for cuts, scalds, burns, roughened, dry and chapped skin and for all common skin troubles. "Vaseline" Petroleum Jelly has been indispensable to medical men and mothers for over half a century. Keep a jar or a tube handy.

Look for the trade-mark "Vaseline" It is your protection.

CHESEBROUGH MFG. COMPANY  
(Incorporated) New York  
11 State Street

**Vaseline**

PETROLEUM JELLY

**FOR OVER 200 YEARS**

haarlem oil has been a world-wide remedy for kidney, liver and bladder disorders, rheumatism, lumbago and uric acid conditions.



correct internal troubles, stimulate vital organs. Three sizes. All druggists. Insist on the original genuine GOLD MEDAL.



**Quick Safe Relief CORNS**

In one minute—or less—the pain ends. Dr. Scholl's Zino-pad is the safe, sure, healing treatment for corns. At drug and shoe stores.

**Dr. Scholl's Zino-pads**

Put one on—the pain is gone

**Stops Itching Peterson's Ointment**

To the millions of grateful sufferers who know about the mighty healing power of Peterson's Ointment for old sores, ulcers, piles, sore feet and chafing Peterson says, "use it for skin and scalp itch; it never disappoints." All druggists, 60 cents.

**Stuck**

The birth of Eddie Laemmle's daughter, Carlotta, created a sensation among the young folks of the neighborhood. The little girl who lives across the street was particularly impressed.

"Just fink," she confided to her little chum, "that baby cost most a fousand dollars an' it wasn't even dressed. Mr. Laemmle had to buy it some dresses."—Los Angeles Times.

**Cash in Hand**

"Did he marry the heiress for her face?"  
"No, for her figure."

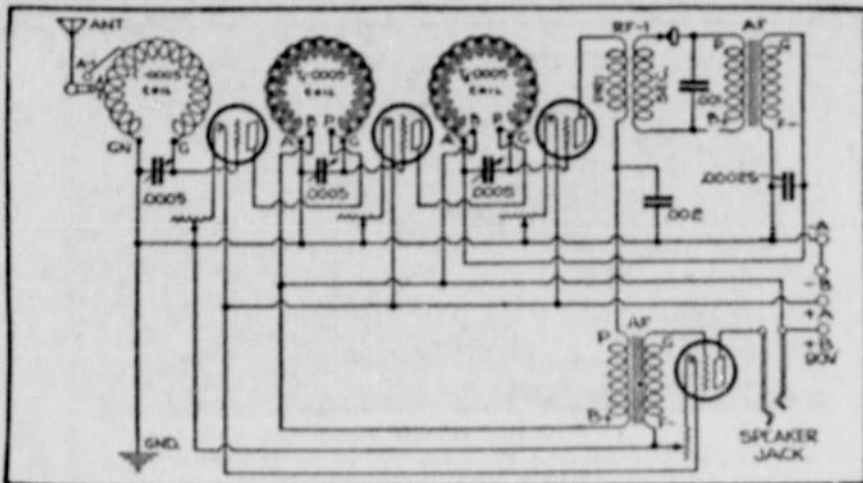
**A Health Builder**

HOSTETTER'S Celebrated Stomach Bitters is a wholesome tonic. Keeps the stomach in good condition and improves the appetite.

**HOSTETTER'S CELEBRATED STOMACH BITTERS**

At All Druggists

**RADIO**



Four-Tube Reflex Receiver Employing Three Stages of Tuned Radio Frequency Amplification With Low Loss Doughnut Coils.

The most out of the smallest amount of apparatus is the goal most set builders are striving for, applying particularly to receiving sets that are intended for portable use, where space and weight are important factors to be considered.

The combination of the reflex type of circuit and the newly perfected low loss doughnut type of coil is ideal. The reflex circuit is especially desirable for the saving of tubes, and the doughnut coils for their high efficiency and low losses combined with the fact that they may be placed at almost any position in the receiver, consistent with a saving of space. Ordinary coils must be placed at critical angles and at a conservative distance from each other, in order to minimize the magnetic spraying effect from the ends of the coils.

**Advantage That Is Important.**

The low loss doughnut coils possess another advantage that is very important in radio frequency receivers. Low distributed capacity. This is gained by a peculiar winding construction used, where the wire is indented at regular intervals, preventing adjacent wires from running parallel to each other. This fact alone gives a receiver greater volume and tone quality than is obtained with ordinary layer wound coils.

The circuit described in this article is similar to that of a neutrodyne or tuned radio frequency receiver with the exception that three stages of radio frequency (one reflexed), crystal detector, and two stages of audio frequency (one reflexed) is obtained with only four tubes. No balancing or neutralizing condensers are necessary when low loss doughnut coils are used for there will be no stray magnetic fields to interact and cause the receiver to break into oscillation.

**An Electric Soldering Iron Is Made of Scraps**

Soldering up a radio outfit is quite a job unless you have a good soldering iron, and nothing beats the electric type. To heat an iron in gas consumes a lot of time and for the man in a small town without gas or electricity it is a bug-a-boo. To make an electric iron out of a few scraps and two binding posts—

Take two pieces of brass or copper about 2 inches long and 1/4 inch wide, shape and drill two holes in them as shown in figure A. Fasten each to handle made of wood, fiber or bakelite. Handle is 4 1/2 inches long and 3/8 inches wide. Use one screw and one metal binding post for each prong as in second drawing. Prongs should be 1/4 inch apart.

Connect with twisted light wire to 6-volt battery. To operate, put soldering solution on joint and lay a small piece of solder on it. Touch both prongs to joint, thereby causing a momentary short circuit. This will cause joint to heat and solder will flow. Current is consumed only during use.—Radio Digest.

**Concerning Loop Aerials**

Loop aerials must be rotatable because they are directional; that is, they receive best in the directions in which the sides point. To cover stations in all parts of the country then, the frames must be capable of being swung in those directions.

**Repairing Howl**

In case you are bothered with a continual howl in the loudspeaker, try placing the speaker farther from the set. The vibrations of the speaker may be causing the tubes to "ring."

**Parts Needed.**

To construct the receiver you will need the following list of apparatus.

- One low loss doughnut coupler.
- Two low loss doughnut coil transformers.
- Two low ratio audio frequency transformers.
- Three low loss, straight line frequency variable condensers of .0005 mfd. capacity.
- Four standard vacuum tube sockets.
- One radio frequency reflex transformer.
- Four 25 ohm rheostats, if UV 201-A or C 301-A tubes are used.
- One each of the following sizes of fixed condensers: .00025 mfd., .001 mfd. and .002 mfd.
- One fixed or adjustable crystal detector.
- One phone jack.
- Binding posts, wire screws, etc.

The receiver can be assembled on a 7 by 24 inch panel with a 7 by 23 inch baseboard or the panel can be of any convenient size to fit into a carrying case for portable use. The space required for the three variable condensers is the only limiting factor in the construction of a small receiver with this hookup. The coils may be mounted upright or flat, above or below the baseboard or subpanel.

**Wiring Done Underneath.**

In the later types of receivers most of the wiring is done underneath the subpanel to improve the appearance of the set, and to shorten the leads. The low loss doughnut coils may be mounted in a horizontal position below the subpanel in this set if there is not sufficient room above.

It is advisable to use the C 301-A type of tubes throughout, with this receiver, with a storage battery to light the filaments and about 90 volts of "B" battery. As a crystal detector is used, there will be no need for a grid leak and condenser or a detector tube.

**RADIO RHYMES**

By ROBERT S. SUTLIFFE

I WENT into a Radio store and looked at sets and horns galore, about two dozen kinds or more—to make a start; I told the clerk I nothing knew 'bout what to by or what to do, to get good entertainment through the Radio art. I didn't want to get in deep, just wanted something simple—cheap, an outfit any one could keep—no work for me; some little thing to please the folks, to sing us songs and tell us jokes, to run with simple turns and pokes—from troubles free.

"This is the place," the fellow said, "don't be by any one misled, for Radio outfits we're ahead; we treat you white; don't throw away your time and cash, by fooling with some simple trash, get something good and cut a dash, start going right. The simple sets are nought but toys, all right for little girls and boys, who only want to get a noise from near at hand; the thing you need is 'Number Eight', it's Radio in the perfect state, from Montauk Point to Golden Gate you'll hear the band."

They say there's one born every minute, I fell and found myself deep in it, I went the limit to begin it, with that set; more than a hundred plunks I paid to get reception of high grade, but a mechanician, I'm afraid, I'll have to get.

There is a moral in this telling for those with minds on Radio dwelling:—The folks who others are excellent, who win fame, are those who work while they are winning, who take it easy in beginning, but when they strike the old ninth inning, know the game.

**Mr. Dairyman**

Do you know that you can

**Dispose**

of a cow in a day, but to

**Produce**

one requires from 2 1/2 to 3 years?

**Oregon Milk Company**

Condensery, Scio, Oregon

All kinds of Iron and Brass Castings. Fruit and Hop Furnaces. Repair Work and Blacksmithing

**ALBANY IRON WORKS**

Engines, Mill and Mining Machinery

Live Rolls, Head Blocks, Log Turners, Log Hauls, Cable Conveyors and Rope Feed Work.

Phone 61

Albany, Oregon

**ALBANY ABSTRACT COMPANY**

Abstractors of city and country property in Linn County. Work quickly completed. Our certificates guarantee safety. Prices conform to the established rates throughout the country.

LEILA MITCHELL, Secretary L. M. CURL, President, Attorney and Manager

**ALBANY PLANING MILL**

E. W. SEARS, Prop.

Sash, Doors, Moulding, Glass, General Mill Work, Windshields, Kitchen Cupboards, Window and Door Screens, Hardwood Flooring, Etc.

Bring Us Your Estimates  
Phone 140-R

Prompt Service  
Albany, Oregon

**DR. A. P. HOWELLS**

Osteopathic Physicians and Surgeon

Send for Osteopathic Literature

Office—Phone 6  
Residence: 210

Office First Savings Bank Building,  
Albany, Oregon

**FARM LOANS**

Write for booklet describing our twenty-year amortized rural credit farm loan. Insurance company rates are very low. No commission or other expense.

**BEAM LAND COMPANY**  
Albany, Oregon

W. A. Ewing, President  
T. J. Munkers, Vice-President

**The Scio State Bank**

E. D. Myers, Cashier

Does a General Banking Business. Interest paid on time deposits.

**EAT TO LIVE**

The better you eat,  
The better you live.

**Imperial Cafe**

Pat Murphy, Proprietor  
Albany, Oregon

**The Highway Repair Shop**

Second and Baker Sts.

Telephone 442

Cylinder Reborning

General Auto Repairing

A. R. Burt M. A. Klapots  
Albany, Oregon

**Lowe & Morrison**

Reliable Undertakers  
All funerals given personal attention by Mr. Lowe.  
N. C. Lowe N. I. Morrison  
Lebanon Phone—Day, 237  
Phone 91 Phone—Night, 295

**RILEY SHELTON**

Real Estate Broker and Notary Public  
Abstracts Obtained, Examined  
SCIO - - - - OREGON

**G. F. KORINEK**

Veterinarian  
STAYTON - - - OREGON  
Calls Answered Day or Night  
Tuberculin Testing

**THOMAS LARGE**

Resident Agent  
City and Farm Property Sold.  
List With Me—No Exclusive Contract

**DR. J. W. GOIN**

Veterinarian  
Sterility, Abortion, T. B. Testing  
Phones: Office, 184-J; Res. 702  
ALBANY, OREGON

**DR. A. G. PRILL**

Physician and Surgeon  
District Surgeon S. P. Railway  
Scio, Oregon

**Dr. P. T. Tweed, D. V. M.**

Veterinarian  
Albany Oregon  
Phone 25 or 572

**DR. C. FICQ**

DENTIST  
Albany - - - - Oregon