



Have you been under his Tape

JAMES HENDERSON

from



Largest tailors in the world of GOOD made-to-order clothes

IS IN TOWN

He is here to take your measures for your new Fall suit or overcoat.

You want clothes that fit. Of course you do!

The way to be sure is to have your suit expertly tailored by Ed. V. Price & Co. in strict accordance with your personal measurements—and cut to conform with the individual attitude requirements of your figure.

It's a real opportunity!

You can select a pattern now for immediate tailoring—or have your suit made up and delivered later. You will appreciate the prices when you see these fine Fall suit and overcoat fabrics.

He's as near as your telephone. Don't risk disappointment. He will call on you at your home or office. Why not phone and let him make an appointment?

City Cleaners

C. H. Lowery

Classification of Cities

In America every town governed by a mayor and corporation is generally known as a city. In Canada the same term is given to any town having a certain population. In Great Britain cities are created by royal authority, and the general rule now is that the dignity is given to a great town which is also the center of an important industrial district.

Height of Efficiency

Efficiency is sometimes found where the "efficiency expert" is unknown. A traveler in Switzerland, having occasion to visit at a herdsman's cottage, says that he discovered the woman holding in her left hand a book, from which she was singing, working a churn with the right hand, and rocking a cradle with one foot. No wasted motion there!

High Wireless Station

A wireless station in Mexico City has a height of 7,800 feet.

Suit Lasted Well

Wearing a suit of clothes made 53 years ago, Rev. D. G. Delano, old-time saddle-bag circuit rider, recently announced in a sermon that he celebrated his seventy-eighth birthday by preaching at Castlerock, Wash. The clothes, tailored by a woman, have never ripped, and retain all buttons. The suit appeared not so old-fashioned as to style and cut as might be imagined. The trousers are very similar to the present mode.

Weather Vane Long in Use

An old weather vane brought to the Dutch settlement at Albany, N. Y., in 1656 is still in active service. It is a jaunty chandelier of beaten brass, perched now on a tall spire. Except for three bullet holes, which tradition says were the result of potshots by wandering Indians, the trim cock has borne his centuries well.

No Acrobat

She had mouth and teeth, but could not successfully masticate her foot.—From a South Carolina paper.

Priest Gives Up Trousseau

When a young (Austrian) parish priest was given a list of things to do with his award, it was a bride's trousseau. After one look at the box of frills and lace he announced he would present it to the next bride he married. Three candidates appeared at his residence the following morning to make early dates for a wedding.

Big Glacier's Movement

The Continental glacier traveled at a rate varying from 7 feet to 8 feet a day, and occasionally 20 feet. The length of its stay has not yet been definitely ascertained by scientists. It covered the United States as far as northern Pennsylvania, Ohio and into Kansas and Nebraska.

Men's Varied Ideas

Lima Beane says the thing that thrills one man may shock another.—Toledo Blade.

Charlotte's Discovery

By H. IRVING KING

(Copyright.)

CHARLOTTE AVESBURY was trying to decide a very important matter. The question was: Should she marry John Dixon or John Hawksbury? Had her parents insisted that she marry Dixon she would have known what to do at once—she would have gone right off and married Hawksbury. Or if they had picked out Hawksbury she would have seen at once that her destiny pointed to Dixon. But the cruel parents were of no help whatever; they would only say that whichever of the two young men Charlotte preferred would be satisfactory to them. The fact was that both the Johns had their good points and lots of them; and Charlotte had known them both for ever so long.

Sometimes she felt sure that she loved Dixon best and would write down "Charlotte Dixon," and "Mrs. John Dixon" on a sheet of paper, just to see how it would look. And then Hawksbury would make himself especially agreeable of an evening and the next day she would be writing "Charlotte Hawksbury" to try the effect. She evolved the idea of setting the two youths little tasks to do for her by which their love might be proved, audited and placed on file. But Dixon's exploit of responding to her expressed wish for an alligator pear when there were none in the market by ordering a dozen by cable from Panama was capped by Hawksbury's burglarizing a greenhouse to procure her a certain rare flower which she wanted and which could not be found at the florist's.

Dixon had a little more money than Hawksbury; but Hawksbury's family had a little better social standing. Dixon played on various musical instruments divinely; but Hawksbury sang like an angel and Dixon could not sing at all. And so on, and so forth—and there she was!

As for the rival lovers, whatever they may have had of deadly animosity lurking in their hearts, outwardly they were as friendly as could be wished, and played the game openly and squarely. To be perfectly candid they were both a trifle conceited and each felt a considerable degree of confidence that his own superior merits would, finally, become so apparent to the lovely Charlotte that she could hardly fail to give him the preference.

Charlotte, however, was not to be easily won. She had been holding the two Johns in abeyance for two years now. She was perfectly sure that she wanted one of them and she had begun to realize that by dallying too long she might possibly lose them both.

Yes, she must make a decision. She went into conference with herself and concluded that, in all probability, she liked John Hawksbury best. He had sung a little love song to her the night before which touched her heart. The two Johns were accustomed to propose at regular intervals and Charlotte said to herself, "Yes, I think the next time Hawksbury proposes I had better accept him. Let me see—that would be next Wednesday. Dixon's night is Thursday."

Winter being now over the land, a skating party was planned. Charlotte and her two Johns were, of course, included. A fire had been kindled near the shore of the lake where the young people were going to skate. Charlotte, with some of her girl companions, was standing by it, warming her hands in a pause between her skating, when sudden cries of alarm arose from the people on the frozen surface of the lake and Charlotte's little sister came running up, crying out: "Oh, Lottie! John has broken through the ice and been drowned!"

Charlotte gave a shriek and started to run wildly toward the lake crying out: "John, John, oh, John, dear!" John Hawksbury appearing, apparently from nowhere, confronted her.

"Don't be alarmed, dear," said he: "I'm all right."

"You," she cried, "you? What do I care about you? It's my John I want."

And, surrounded by his rescuers, her John, surnamed Dixon, was seen approaching, dripping wet from having been fished out of an "air hole" through which he had fallen, and shivering violently from his immersion in the icy water. Charlotte, right before everybody, threw her arms around his shaking, dripping form and whispered: "I'll say 'Yes' right now, John. You need not wait until next Thursday to ask me again."

Roman Wedding

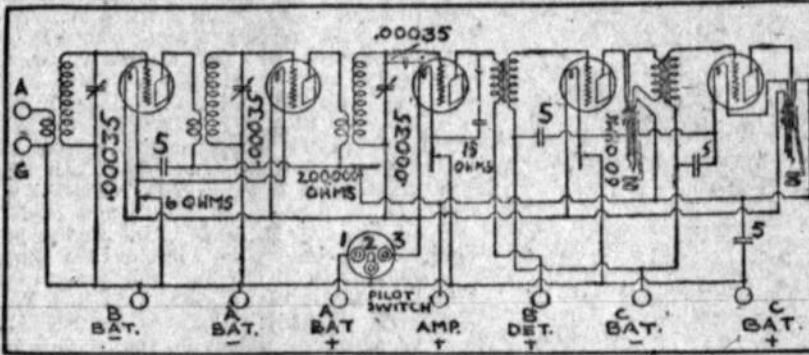
Among ancient writers on the subject of the "Wedding Cake," Quintus Curtius is probably the most definite and reliable, for he quotes clearly the laws of Romulus, based upon those of the Etruscans and the other races whose advent preceded the foundation of Rome. In those days it appears to have been customary for the families of the "young people" to enter into certain prenuptial agreements for the future provision of their son and daughter—much as "showers" are given to a bride at the present time. These agreements were ratified at the marriage festival, and accompanied by a lavish outpouring of corn, oil and other kinds of food, a ceremony which practically constituted the wedding itself.

RADIO HEADQUARTERS

Atwater-Kent
Federal
Stromberg-Carlson
Radiola-Radiotrons & Accessories

Oerding Hardware

Owned by the Seven Oerding Brothers



Wiring Diagram of the Five-Tube, Three-Control Radio-Frequency Receiver Described in This Article.

By HARRY J. MARX

In New York Herald-Tribune.

Simplicity, efficiency and high quality, all combined, are the arguments for the receiver described in this article. The circuit was first worked out from a simplicity and efficiency angle.

The receiver is based on the standard five-tube, three-control circuit for improvement in operation has been incorporated.

The circuit is shown in the illustration. Two stages of highly efficient tuned radio frequency amplification, a detector and two real stages of audio-frequency amplification certify to long distance range and the best of tone quality in reception.

Three low-loss pickle bottle coils, combined with high quality straight-line frequency condensers are the major factors in selectivity. The oscillation control permits operation just below the oscillation point of the tube and insures maximum performance with the best tone quality and a minimum drain on the "B" batteries.

One of the particular features of this circuit is the efficiency of the audio stages, not only in the selection of good transformers, but also in the proper use of by-pass condensers in order to filter out all stray radio-frequency currents and extraneous noises. There remains much that is still to be learned about the intelligent use of by-pass condensers.

"C" battery in the grid returns of the audio transformers is another factor in good audio amplification. The loud speaker can be plugged in on either the first or second stage Jack of the audio-frequency amplifier. The last Jack is filament control for the last tube, so there is no unnecessary current consumption when only the first stage is used.

Size of Set.

The use of a 24-inch panel makes the set a compact one without unnecessary crowding and interstage coupling, which would be detrimental to satisfactory operation. There is no over-crowding in the panel layout and each of the controls is so placed for convenience in tuning. The use of real vernier dials makes tuning a pleasure. The controls are by no means complicated or difficult to operate. A rheostat is used for the detector tube, another for the two radio-frequency amplifier tubes, and a third for the audio stages. The sockets are universal and therefore permit the use of either storage battery or dry cell types of tubes. A resilient spring action in the socket design assures a perfect contact and the elimination of microphone noises by its non-rigidity.

Nine binding posts on a raised strip are easily accessible and make battery connections a simple matter. Everything is easily assembled and wiring is a simple, rapid operation, with none of those tricky inaccessible

Sex and Suicide

Figures obtained from a leading life insurance company show that suicide is approximately two and a half times as frequent among men as among women. Self-destruction does not assume numerical importance until the age of twenty is reached. The highest rate is experienced during middle age, until at the age of sixty-five there are seven times more suicides by men than by women.

connections which are the bane of set constructors.

Apparatus Required.

The first question every fan asks before deciding on the building of a set is "What parts will I need?" The following is the list of apparatus necessary to build the set described in this article.

- 1 baseboard, 3/4 by 8 by 23 inches.
- 3 Eastern classic coils, type EB.
- 3 National Equicycle SLF condensers, .00035 mfd.
- 3 National variable velvet vernier dials.
- 2 Multistage R-D meloformers.
- 5 Eby CX cushion sockets.
- 9 Eby "Ensign" binding posts.
- 1 binding post strip, 3-16 by 3/4 by 17 1/2.
- 2 Carter "Imp" rheostat, IR-6, 6 ohms.
- 2 Carter "Imp" rheostat, IR-25, 25 ohms.

- 1 Carter "Imp" pilot switch.
- 1 Carter "Hold-Tite" Jack, No. 104.
- 1 Carter "Hold-Tite" Jack, No. 103.
- 1 Centralab radiolum, No. 200-M, 200,000 ohms.
- 1 Turn-it grid leak.
- 1 Turn-it panel control.
- 4 Dubilier condensers, type 656, 0.5 mfd.
- 1 Dubilier condenser, type 640, .002 mfd.
- 1 Dubilier grid condenser, type 640-G, .00025 mfd.
- 15 lengths Celatsite wire, No. 14 (black, red, green, yellow, brown).
- 1 cabinet to suit.
- Miscellaneous screws, lugs, solder, etc.

"In the selection of apparatus as listed above it would be well to just consider the reasons for their use. The pickle-bottle type of low-loss winding has become very popular because of its high selectivity features. The coils, when used with the condensers mentioned, cover the complete wavelength band as required for our popular broadcast reception. The vernier dials have the unusual feature of a variable vernier ratio. In other words, the vernier adjustment can be made coarse or fine, as desired.

Color Wiring.

The use of color scheme in wiring is based on some definite plan that is to be followed. In wiring the set this schedule should be followed:

- All negative "A" leads use black.
- All positive "A" leads use red.
- All grid leads use green.
- All positive "B" amplifier leads use brown.
- All positive "B" detector leads use yellow.
- In building the function and potential of each lead can then be told at a glance.
- Don't permit the wiring to run too close to the coils. Keep all the plate and grid leads as short as possible.

Moose Plugs Own Ears

In order the better to enjoy a breakfast of water lilies that happen to be below the surface of shallow lakes the moose has learned the trick of "plugging" his ears, which are immersed for half a minute or more at a time. Having much greater use of the muscles in this respect than the human, the moose simply folds back the outer integument so that it acts as a stopper over the sensitive inner ear.

Certainly—They are Water-Cured



The Water-Cured Process delivers its pressure evenly over the entire surface of the tube and insures a perfect cure. It retains all the tough, live quality of the rubber. And the rubber used in

United States Tubes

is of superior quality. It is the celebrated U. S. Sprayed Rubber free from acid, smoke and other impurities—the toughest, most uniform rubber known.

United States Tubes age well. If punctured, the injury does not spread and vulcanized repairs are permanent.

When you buy a United States Tube made of Sprayed Rubber by the Water-

Cured Process, you buy a tube that is made of the finest materials under ideal conditions in the largest and best equipped tube factory in the world.

It will add miles to the life of your casing.

United States Royal Tubes, Grey Tubes and Usco Tubes will give the same long, satisfactory service you get from United States Tires.

For Sale by **L. H. Pearce, Myrtle Point**