

# STATE UNIVERSITY WILL RESUME ITS PEACE TIME BASIS

Faculty Strengthened by New Members and Men and Women Back From War Service.

## LARGE ATTENDANCE IN VIEW

Indications Are Enrollment Will Be Increased 50 Per Cent; New Students to Number 800.

University of Oregon, Eugene, Sept. 20.—With the opening of school in October, the university goes back on a peace time basis. The faculty has been strengthened with new instructors and by the return of men and women from war service.

Among them is T. J. Bolitho, a new member of the school of commerce faculty. He is a certified public accountant of wide business experience in the Northwest and California. He is a graduate of the Washington State college, where he taught for three years.

Boys returning from service, who are required in their application for state aid to state what line of work they wish to follow, indicate a strong preference for preparation for business life in the school of commerce and the professions in the schools of medicine, journalism and law.

Inquiries from prospective students, compared with those received on similar dates in previous years, indicate a probable growth of nearly 50 per cent in the student body over last year. More than 400 new students have registered, indicating a probable 800, in addition to the return of a large percentage of last year's enrollment of 1100.

In addition to the campus dormitories, Hebricks, Friendly and Spiller halls, the university has rented several large houses, which have been repaired, adapted and enlarged. Three new fraternities will open houses, accommodating about 30 students each. A campaign is under way for the reestablishment of the big Y. M. C. A. building, which was taken over by the military training camps during the war.

The list of the new and returned members of the faculty is as follows:

James D. Barnett, professor of political science (returned); T. J. Bolitho, instructor in accounting; John H. Clark, graduate assistant in economics; Harry B. Douglas, professor of education; Frederick Stanley Dunn, professor of Latin (returned); Colin V. Ely, professor of journalism, secretary of the Portland extension center (returned); Crawford C. Edwards, professor of commerce; Rosalina Espinosa, instructor in Spanish; Jennie Louise Fayard, professor of French; Maria E. Findahl, assistant professor of voice; G. E. Finerty, instructor in education; Elizabeth Freeman Post, dean of women (returned); Dorothy Gibson, graduate assistant in Latin; Mrs. Margaret B. Goodall, instructor in education; Ruth Green, graduate assistant in history; Rose Hekkerell, professor of band instruments; Allan C. Hopkins, professor of chemistry (returned); Alfred S. Lemaux, professor of foreign trade and commerce; Albert Lukken, professor of voice; Clyde W. Mason, graduate assistant in chemistry; R. H. Sawyer, university physician; Victor P. Moeck, assistant professor of physics; Victor P. Moeck, assistant professor of physics; Lieutenant Earl L. Cook, assistant professor M. S. & T. Q. M.

### CERTIFIED ACCOUNTANT JOINS U. OF O. FACULTY



T. J. Bolitho

R. O. T. C.; Mrs. Edith Baker Patten, instructor in education; Leland A. Coon, professor of piano and organ; Edwin Clyde Hobbins, professor of economics (returned); Mary Watson, assistant professor of English literature (returned); Louis C. Rosenberg, professor of design (returned); Emma Waterman, instructor in physical education for women; Giles M. Ruch, instructor in educational, principal university high school (returned); Arthur Rouquet, instructor in drawing; Joseph Schafer, professor of history, head department (returned); Isabelle Slavin, graduate assistant in sociology; Martin Solov, instructor in rhetoric; Dr. J. Franklin Thomas, professor of sociology, director Portland school of sociology; Rex Underwood, professor of Latin; F. M. Warrington, professor of commerce, Portland extension center; Sergeant Major F. R. Agula, member of staff, R. O. T. C.; First Sergeant James C. Reed, member of staff, R. O. T. C.; Sergeant Henry Harnat, member of staff, R. O. T. C.; and Dr. Henry I. Cole, professor of chemistry.

# Yank Hero Is Scion of Royalty Now Worker in Marshfield

## Great Grandson of Stanislaus II of Poland Killed Boche Who Boasted.

Possessor of a Croix de Guerre, direct descendant of Polish royalty, August Marcus von Poniatowski now lives in Marshfield, working at his trade of boiler making, not one of his fellow workers guessing his carefully concealed record for bravery or knowing of his illustrious ancestors. Less than a year ago, he alone, after his companion had been killed, took a Boche machine-gun nest, killed four gunners and smashed the gun. For this he cherishes, but does not tell about, the highest award given by the French government for military bravery.

August Poniatowski, as he modestly calls himself, having dropped the sign of nobility from his name, enlisted in the American army early in 1918. In July of that year he left for France. After a few weeks' intensive training there he was sent to the front line trenches and there fought as other Americans fought, probably no better or no worse. DID NOT WANT TO GO

His fighting life was no more eventful than that of other soldiers until one day he was detailed to go on patrol duty with Corporal Karl Dabroski, another Polish youth who for years had been his best friend. The "duty" was to find a Boche machine gun which for days had been taking heavy toll of that portion of the trenches in which the two were stationed.

"I did not want to go," Poniatowski frankly admits, "and asked the captain to relieve me."

His request was refused, and early in the afternoon of October 15, he and the corporal, after taking the usual precautions of removing all identifying insignia, started on their hazardous search. Each carried six hand grenades, with a pistol and a short bladed knife. The trenches they left were in the Pureshelle sector, in the valley of the Mozele.

The machine gun toward which they were directed was somewhere near the top of a small hill, thinly covered with bushes. The two moved as quickly as possible, endeavoring to keep within cover of the protecting shrubs. Their movements were evidently detected, for the gun soon began sending its missiles in their direction.

### BEST FRIEND IS KILLED

The ascent was made safely, however, until, within a few yards of the nest, the corporal, in advance, was seen by Poniatowski to convulse suddenly, and then lie motionless. Cautiously crawling to the prone body, he saw the upper half of the head had been blown away.

"I was sure that either way I went," he says, "they would get me." He slowly and stealthily slipped under the dead body of his friend and there devised a plan, a swiftness of opportunity to carry it out. This was at 3 in the afternoon. With the weight of the bleeding corpse upon him, he lay until the approach of darkness, then, freeing himself of the dead body, he crawled a few feet of the nest. He had six hand grenades, which he expected to do the work he had planned. He figured that to



August Poniatowski

throw one of them would probably produce no results other than to warn the Boches of his presence, and would probably result in his sudden demise. So he decided to throw two at once.

### PLAN PROVES EFFECTIVE

Grasping a pair of the bombs in his left hand, he with one jerk pulled the two wires which set free the operating levers. Five and one-half seconds elapsed before the explosion occurs after the freeing of the levers. In that space of time one of the grenades had been transferred to his right hand, and simultaneously he hurled the two into the nest just above him. The performance was repeated until the six were gone.

Then, with his pistol ready, he leaped up and into the nest. Three dead Boches sprang over the floor, and a fourth writhed, exposing a thigh from which much of the flesh had been torn away.

The American soldier rushed over to the German and seeing the two make no effort to defend himself, sat down. Immediately there commenced a plea from the Boche gunner for mercy, the finale being a recital of the story of his life. He had passed much time in Poland, knew the language and the country well, and had done military service there in the early days of the war.

### BOAST BRINGS DEATH

Becoming confident, he boasted of his military exploits and finally, with elaborate bragadoles, told of his proudest achievement, the violating of two young Polish girls.

The knife of the young Pole was drawn involuntarily.

"I only touched him with it," he shuddered, "but the next day he was free, dripping red and hot. Shortly after, four patrols, sent to search for the two, long overdue, found him there, surrounded by the four Boche corpses and the fragments of the machine gun, which he had smashed. He returned with his comrades to the trenches.

His work was recorded, his daily round of fighting and fighting resumed, but he found himself increasingly unable to forget the astonished face of the Boche gunner as he saw a knife suddenly seeking his vitals.

### MEMORY IS NIGHTMARE

The memory of the few hours assumed the proportions of a horrible nightmare, then one day, a week from the time he took the nest, Poniatowski, while in a dugout with four companions, received two wounds, the result of a shell bursting which killed two of the four and wounded the others. He was taken to a hospital, but while healing of the body was effected, the weight on his mind became unbearable and he sought for peace in confession to his priest.

"If I could," the priest told him while he gave him absolution, "I would make a holy saint of you."

The weight on his conscience vanished and three weeks after receiving the wounds he was again in the fighting line. He continued in active service until the signing of the armistice.

### CROSS BEARS STAR

After the cessation of hostilities, he made application to be allowed to go to Germany with the American army of occupation. This was granted, and he later received his silver starred croix de guerre, and was given a month's leave to return to Poland to look for members of his family, whom he had not seen since coming to America, eight years ago.

Nine years ago the father of Poniatowski, Casimir von Poniatowski, was executed by the Russian government for leading an insurrection at Kalisch, the object of which was the freeing of Poland from Russian dominion. At the same time an elder brother was sent to the mines of Siberia, whence no news of him ever came. There remained of the family only Augustus, his mother and a young daughter.

Twice before he was 14 years of age he had been exiled from the country. When 3 years old he had been sent to Italy, remaining there until he was 12. Returning, he was sent to a monastery, but after a time, warning again was given his mother he must be sent from Poland or he would be executed.

### NOW AMERICAN CITIZEN

That was eight years ago and he came to America and is now a naturalized citizen. Soon after his coming here, the estates of Mme. Poniatowski were seized and the family left penniless. The Polish youth, adrift in a strange land, came to the Pacific coast and learned the trade of a boilermaker.

Arriving in Poland for the first time since his exile, he found that his mother and sister, during the bombardment of Kalisch by the Germans early in the war, were among the thousands of refugees who made their way into the interior of Russia, where trace of them was lost. Poniatowski was assisted by Polish authorities in his search for them, which proved fruitless. He, however, hopes to find them when war tangles are unraveled.

While in his own country he was given the ovation due the great-grandson of Stanislaus II, last king of Poland, and was offered a commission in the Polish army. This he could not accept because of his inability to gain release

from the American army. He was among the last of the troops to leave Europe, arriving here a month ago.

He works at his trade in the shops of the Southern Pacific railroad in Marshfield. There he goes about his daily tasks, a quiet, modest man, the intensity of his eyes and an occasional nervous gesture the only evidence of past distressing experience. His fellow workers know nothing of the croix de guerre, of the ovation given him in Poland, where he is ranked with the first of the land, or to them, is just one of many who have returned to the work they left for a little time.

## Departments of State to Be Kept Open During Fair

Salem, Sept. 20.—All state departments will be kept open as usual during regular office hours State fair week for the benefit of out-of-town visitors if recommendations adopted by Governor Olcott's committee of wage standardization and working condition, at a meeting this morning, are headed by department heads. The recommendations provide, however, that all state employees be given ample opportunity for visiting the fair, but without interfering with the work of the department.

The questionnaire to be sent to private and public employers throughout the state, in an effort to secure data upon which to base a report on the wage situation among state employees, was also approved at today's meeting. Because of the absence of William A. Marshall, industrial accident commissioner, from the state, J. A. Churchill, superintendent of instruction, was named to act as chairman of the committee.

## Former Portland Pastor to Attend Hague Conference

Dr. Arthur J. Brown, former pastor of the First Presbyterian church of Portland, and now secretary of the Presbyterian board of foreign missions, will attend the sessions of the World's Alliance of International Friendship Through the Churches at The Hague, September 23 to October 5. He will be accompanied by Mrs. Brown, and will be gone until the latter part of October.

In addition to being a delegate to this conference, Dr. Brown, as chairman of the federal council's commission on relief for Protestant churches in France and Belgium, will attend conferences of that organization in Brussels and in Paris. Sums of money for this purpose have recently been voted by the various church boards in America, and Dr. Brown will report on this activity to the French and Belgians.

As chairman of the emergency committee, appointed by a sub-committee of the committee on reference and counsel of the foreign missions conference of North America, Dr. Brown will meet with similar committee in Great Britain to discuss plans for carrying on missionary work formerly carried on by the Germans.

### Baker's Assistant Resigns

Washington, Sept. 20.—(U. P.)—Colonel Arthur Woods has submitted his resignation as assistant secretary of war to Secretary Baker, to take effect today, it was learned. Woods has been in charge of the work of obtaining employment for discharged soldiers. He believes his work was completed.

## A Sure Investment— a Diamond Bought Now at Aronson's

The proof is plain: We are selling diamonds under the prices of any and all dealers, large or small!

We can do this because we own stocks which were bought at favorable prices, and for the further reason that even now we enjoy facilities for buying diamonds below importers' prices.

Call on us to see diamonds—and to buy diamonds. You do not have to possess expert knowledge in order to appreciate the superior values we give—they are evident to all who see them.

Diamonds from \$10 to \$2500

# Aronson's

JEWELERS

Washington Street at Broadway

## La Grande Asks for Right to Take Water

Salem, Sept. 20.—The city of La Grande has filed with State Engineer Cupper an application for permission to appropriate 20 second feet of water from Loogingglass creek for a municipal water supply. The construction of a pipeline 35 miles long at a cost of \$500,000 is contemplated in the plans for the new water supply.

## Autoists on Way to Round-Up Are Hurt

Pendleton, Sept. 20.—Frank Berlin of Athens is lying at the hospital with a broken leg and a broken arm, the result of an automobile smashup, and Mrs. Berlin and daughter are suffering from minor injuries. Berlin and family were on their way to the Round-Up when a car, whose driver is unknown, collided with their car.

Fritz Seidl, former Spartan leader, and five of his associates were executed in Munich Friday.

## The CHENEY PHONOGRAPH



Style 5 Georgian

## Invented by a Music Master for His Pupils

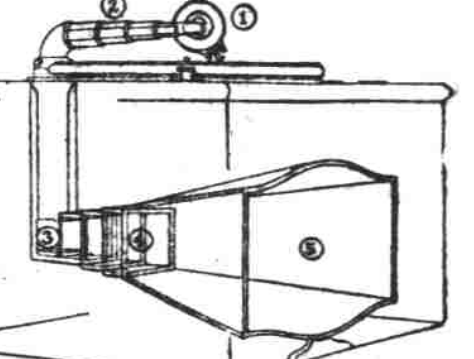
DETERMINED that the limitations of the phonograph should not prevent his music pupils from learning the details of tone-shading of the masters, Forest Cheney evolved the instrument which today bears his name.

By combining the fundamental principles of the violin and pipe organ, he achieved new heights in the science of tone reproduction.

Tones become rich and full. The serene purity of the reproduction is comparable only to the original production.

That is the story of the invention of the Cheney—its romance is in keeping with the wonderful progress it represents.

Cheney cabinets are made by the master furniture craftsmen of the country. In refinement and beauty they are matched only by the artistry hidden within.



X-Ray of Cheney Phonograph, showing

1. Cheney Reproducer—a series of concentric Walls which separate and focus the sound waves. "Blast" and "Needle scratch" are eliminated.
2. Cheney Tone Arm—where tones are amplified and reflected from flat surfaces. Noise vibrations are muted.
3. Cheney Throat—where sounds are gathered and controlled as in a living throat.
4. Cheney Orchestral Chambers—which amplify tones still further and add quality and sweetness to them. All tones preserved in perfect balance.
5. Cheney Violin Resonator—carved from silver spruce and maple. It adds richness to Cheney Tones and all the serene purity of the violin.

These features are covered by basic patents and are found only in Cheney Phonographs.

## CHENEY TALKING MACHINE COMPANY

Represented by **G. F. Johnson Piano Co.**  
147-149 Sixth, Bet. Alder and Morrison

**SEIBERLING-LUCAS**  
MUSIC CO.  
125-7 FOURTH STREET  
PORTLAND'S BIG MUSIC STORE

# Washington at Fifth JENNING'S Washington at Fifth

## Autumn Urges Closer Acquaintanceship Between People and Their Homes

This great store of JENNING'S is brimful of those things which make home more delightful to know intimately

"Style, Color, Quality" is the three-fold creed of Successful Drapery and we are holding to it, in spite of ascending prices. When you see these new autumn drapery materials, you will indulge in an ecstasy of enthusiasm in imagining how wonderfully enhancing they will be to the beauty of your own home. You must see them!

## Odd Dressers and Chiffoniers

Many who buy fine bedroom suites take either the Dresser or the Chiffonier, instead of both, which leaves an odd piece on our hands. We have accumulated a great number of these in various styles. All are of exceptional quality and beauty. This week we propose to create a commotion among them, which will result in most of them leaving for more congenial quarters. The two lines below tell how we will accomplish it:

Regular Prices \$35 to \$125  
This Week One-Fourth Off!

## How Do You Feel When You Wake Up in the Morning?

Truly, "the way you feel in the morning" is the proof of your bed. We believe that is why Simmons' superior Metal Beds are becoming more and more demanded in homes where sound, consistent, restful sleep is considered the first essential of health, success and happiness.

## The New Bedroom Suites

The past week has witnessed the addition of many new and elegant suites to the stocks on our floors. A number of entirely new designs are shown, which we would have you see. Walnut, mahogany and ivory enamel vie with each other for your admiration—and each has a beauty and a charm of its own.

### The Spinet Desk

—the place to pen sparkling, charming letters. The quaintly contoured cabinet that enclosed that ancestor of the modern piano becomes, in its twentieth-century incarnation, an ideal writing desk!—so beautiful and interesting that it invests even the sordid task of balancing household accounts with a certain atmosphere of charm. Many examples of Spinet Desks in walnut and mahogany are represented on our floors. Prices are comfortably modest—from \$40 upwards.

**The Pittsburg Electric**  
A Good Sweeper at a Modest Price  
In order to put this sweeper in as many homes as possible we will offer this week only regular \$30 Pittsburg Electric Sweepers for **\$24.75**  
\$6 Down—\$1 Weekly

When summer takes wings and golden autumn steps in there is much "changing about" and "fixing up" to be done in the home. New furnishings are needed—new effects are to be undertaken in order to make home the companionable place you want it to be.

It's a delightfully stimulating experience to come to a store like this, where everything is so beautiful and so many things are so modestly priced. The enthusiasm and knowledge and skill of our entire force of home-decorators are yours, for your home's sake!

**Library Tables of Mahogany and Walnut**

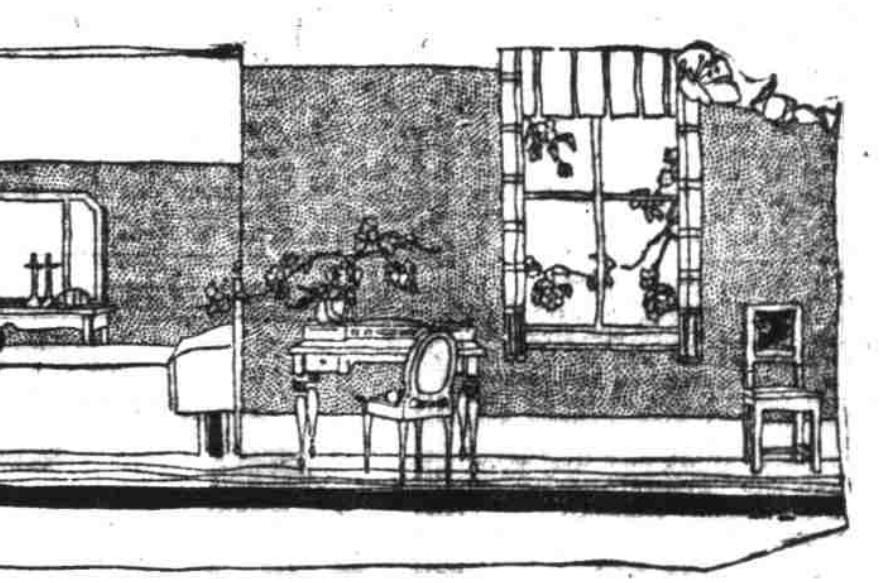
**Davenport Tables in Mahogany**

For the evening lamp—the newspaper—the latest magazine—they add to your comfort, besides enhancing the beauty of your living-room. A great showing is here—modestly priced.

## The Cedar Chest

A Treasure House of Mystery and Delight

Fashioned from fragrant, spicy red cedar of "sunny Tennessee" and from our own wind-swept Oregon giants, these chests are treasure chests, indeed! The fine natural grain is preserved in the finish, while the heavy copper trimmings and bindings lend that mysterious charm which whispers of pirate treasure and "pieces of eight"! You MUST have a Cedar Chest. Priced from \$15 to \$90. Then there are Chests of mahogany and walnut, lined with cedar. These, too, have their own charm—their own delights.



## Some Good Rugs Underpriced

The number is limited, however. If you are in the buying mood, it would be well to select early in the week.

**\$29.25** for Mottled Axminsters in 9x12 size, regularly priced \$40.

**\$34.50** for Axminsters in 9x12 size (three patterns), regularly priced \$45.