

**ATTENTION
CRESWELL READERS**
Mrs. C. I. Kent is our news, advertising and subscription representative for the Creswell area. Her phone is Creswell 557.

Creswell News

Published by The Sentinel, Cottage Grove, Oregon CRESWELL'S OWN NEWSPAPER PAGE Page 2 The Sentinel, Cottage Grove, Oregon Thurs., April 21, 1955

Creslane Gym Art Exhibit Open to Public Apr. 25-27

CRESWELL—An art exhibit was held in this community some five years ago. Ralph H. Train, superintendent of the Creswell grade schools, announced that a large trunk has just been received from the Colonial Art Company containing more than 150 pictures for a fine art exhibit.

The copies of the paintings of the "old masters" will be on display in the Creswell gym starting Monday, April 11. Students from both elementary schools and the Union high school will have an opportunity to study and enjoy the paintings on exhibit. It will cost each student 10c to pay the expense of the exhibit. However, some of the schools will be returned to the schools in the form of free pictures.

For three nights, April 25, 26 and 27, this exhibit will be open to the general public from 7 to 9 p.m. at Creswell gym. The adult tickets are 25c for any or all three nights. In addition, there will be a musical program by the grade school at 8 p.m. on Wednesday night free to those with art exhibit tickets. Numbers will include music by the grade school band and by the upper grades chorus.

Mrs. Huston Hosts Rebekah Lodge

CRESWELL—Honor Rebekah Lodge met April 13 with Mrs. Johnnie Huston presiding. Plans were discussed for the redecoration of the hall with the appointed committee to confer with the IOOF committee in arranging time for the work. A contribution of \$5 was voted toward a campership for some Girl Scout. Ritualistic work was received and a game was provided by Mrs. J. R. Miller.

Refreshments were served by Mrs. E. W. Rand and Mrs. Loren Westrope from a table decorated with Easter emblems. To serve at the April 27 meeting are Mrs. Vern Gilenwater and Mrs. William Melhorn.

WALTON TO SHIP OUT

CRESWELL—Mrs. Marshall Walton received a phone call Friday from her husband, EM Marshall Walton, at the navy base at Seattle, Wash., that he was shipping out this week for overseas duty. He served several years in the Navy and was home nine months before he reenlisted. Mrs. Walton left to be with him until his ship left. Walton is the son of Mr. and Mrs. Forest Walton of Creswell.

Churches

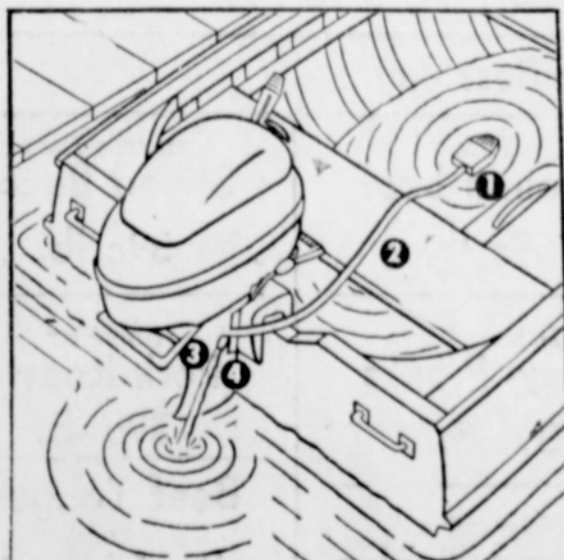
Creswell Church of Christ: 9:45 a.m. Bible School, Mrs. Claude Kirkendall, superintendent; 11 a.m. communion and preaching service; 7 p.m. study hour; 7:45 p.m. evening service. L. M. Bixler, pastor.

Assembly of God Church, Rev. J. A. Skinner, pastor: Sunday school 10 a.m. Morning worship at 11 o'clock. Evening service, 7:30 p.m. Wednesday, 7:30 p.m. Prayer and Bible study. Come with your problems and spiritual needs.

Revival time over all ABC radio stations each Sunday at 10:30 p.m.

Presbyterian Church, Rev. Gerald G. Emerson, pastor: Sunday school at 9:45 a.m. 11 a.m. worship service.

First Methodist Church, Rev. Kenneth Mitchell, pastor: Sunday school at 10 a.m. with special entertainment number each Sunday. Morning worship at 11 o'clock. Youth Fellowship at 7 p.m. Fun, fellowship and inspiration. Choir practice at the church Thursday at 7:30 p.m.



BAILS 2 1/2 TO 4 GALLONS A MINUTE!
Water is drawn into screened immersion unit (1) and flows through bilge hose (2) to vacuum-type pump (3). The water does not circulate through the cooling system; it is immediately expelled (4) via separate outlet.

Creswell Radio & Electric
Ph. 501

Grange to Sponsor Home Talent Show Here April 28-30

CRESWELL—Mrs. Anna Taylor, director of the Empire Producing Company, arrived in Creswell the first of the week to arrange two nights of entertainment sponsored by Creswell Grange April 28 and 30 at the Creswell school. The show, "Holiday Ahoy," will present all home talent and promises plenty of fun. Mrs. Taylor is a guest at the home of Mr. and Mrs. F. E. Vick while here.

The play of ten big scenes is built around the festivities of launching the world's finest ocean liner. Business men as super salesmen have come down to take a cruise on the maiden voyage of the Good Ship Holiday and they enter the fun and gaiety of the occasion. On board you will find a shipload of colorful costumes to be worn by chorus girls. A highlight of the show will be the children's number.

What's Doing

SERVICE BOARD MEETS
CRESWELL—The Creswell Community Service Board met Monday evening at the Creswell Grange hall. Representatives were present from the Cloverdale club, VFW, Civic club, Rebekah Lodge, Mothers club and Creswell Grange. Representatives of the other 16 groups of the community are urged to be present at the May 16 meeting to plan for another jitney benefit supper.

Several projects of benefit to the community were discussed including that of providing more playground equipment for the city playground, the planting of more trees there and arranging a picnic ground. Come out and make these dreams come true.

FARM BUREAU MEETS

CRESWELL—O. F. Vonderheide, attorney of Eugene, was guest speaker at the meeting of the Farm Bureau at the Cloverdale clubhouse Monday evening, April 18. He gave information regarding wills and estates. Refreshments were served following the business meeting. R. E. Kerr, county president, was a guest. The county Farm Bureau meeting was announced for April 28 at the fairgrounds.

FIREMEN BUSY

CRESWELL—The Creswell Volunteer Firemen have been busy of late answering calls, both local and rural. An overheated stove brought them to the L. J. Quigley home Friday morning but no damage was reported. Shortly after noon a call came from the Cloverdale district where a fire was coming from an old building on the John Trioli ranch now rented by the Ernest Kempton family. The building formerly used as a prune dryer, now as storage place for baled hay, caught fire below the floor. No one was at home, but it was reported the fire might have been set by children playing with matches. Very little damage was done.

MOVIE CLOSED

CRESWELL—Mr. and Mrs. Arthur Johnson, owners of the Star Theater, have closed their business. Sunday night was the last show. The Johnsons bought the Woodmen hall on the corner of Oregon Avenue and Second street a few years ago and converted it into a most modern and up-to-date theater building and have provided the best of shows for the theater going public, but as in other places, the television has contributed materially to the reduction of attendance at the shows.

Mr. Johnson, who is also in the logging business, will remain in Creswell with his family for the present.

To prevent child accidents, keep matches, and cigarette lighters out of reach of small children. Teach older children how to use and respect fire.

Around Town

Mr. and Mrs. Edgar Trout and three sons of Visalia, Calif., are visiting at the home of his sister, Mrs. Johnnie Huston. They made a trip to the coast Thursday accompanied by their father, Charles Trout, who is also visiting at the Huston home.

Members of the Women's Society of Christian Service of the Methodist Church were guests of the Cottage Grove W.S.C. at the Methodist Church April 13. From here were Mrs. W. A. Adams, president, Mmes. Kenneth J. Mitchell, W. M. Harris, Blanche Gwyther, E. C. Fisher, Ray Andrews, F. E. Vick and C. I. Kent.

Several new members have been received in the Presbyterian Church recently, Mr. and Mrs. R. M. Carpenter on Palm Sunday and Arlene Mawson, Larry Heater and Beverie Graves on Easter Sunday.

Mr. and Mrs. Don Gilman of Seattle, Wash., spent Friday and Saturday with her parents, Mr. and Mrs. W. D. Tiedje. It was their first trip here since Mr. Tiedje had returned from the hospital.

Mrs. C. Edwin Ditto and members of her Future Business Leaders class attended a conference at Corvallis Friday and Saturday. Mrs. Ditto and Kaye Scherwing provided transportation for Dorothy Cameron, Phyllis Fering, Doris Parks, Kathleen Joiner, JoAnn Lunas, Shirley Dunaway, Edna Hensen, Charles Gardner and JoAnn Birdsong.

Mr. and Mrs. John Hamilton who have made their home for the past year in Oakland, Calif., have moved to Cottage Grove where he has employment. His brother, Darrell Hamilton, and wife helped them move Saturday. The younger are daughters of Mr. and Mrs. J. V. Birdsong.

Mr. and Mrs. Lynn Dingman have closed their cafe at the south city limits and will open a new Dingmans Drive Inn at the east city limits of Willamette City near Oakridge. It is a new building and equipped with all modern furnishings. The Dingmans have lived in Creswell for several years and have operated eating establishments much of the time.

Mr. and Mrs. John Terry and family of Canbyville called on the Darrell Hamilton family Saturday.

Mmes. L. A. Whitney, G. H. Maxwell and W. S. Calhoun attended Girl Scout training classes in Springfield Tuesday, Wednesday and Thursday. All three are active in the Scout work here.

Mrs. Grace Clark, who has been at the home of her mother, Mrs. G. R. Miller, for the past two and a half months assisting with their care following hospitalization, left the last of the week for her home at San Diego, Calif.

An indoor Easter egg hunt was sponsored by the teachers of the primary department of the Methodist Sunday School April 9. Some 50 children took part. The teachers were Mmes. W. C. Land, E. W. Rand, Earl Petty, C. C. Walton and Russell Tendick.

Mrs. Edna Wrinkle and friends of Oraville, Wash., called on Mr. and Mrs. E. A. Green Sunday. Mrs. Wrinkle is a sister of Mrs. Green.

Due to conflicting dates, the senior play of the high school has been postponed from April 30 to May 6.

All members of Creswell Grange are being notified by card that by vote of the executive committee and permission of State Grange, the April 28 meeting has been postponed a day, April 29, when Mrs. E. G. Sherrill will be present.

The date for the potluck dinner at the Christian Church has been changed from April 21 to April 28 at 6:30 p.m. The hostesses are Mrs. F. B. Good and Mrs. Lura Pasley.

The Dorcas Circle of the Methodist Church will hold a food and Mothers Day gift sale at Walk-up's store Saturday, April 30, beginning at 10 a.m.

Initiation will be the main order of business at the April 21 meeting of the Creswell Chapter of Eastern Star.

The 42nd anniversary of the Creswell Civic Improvement club will be observed at a covered dish luncheon at the clubhouse Tuesday, April 26 at 12:30. All former members are specially invited to attend. The executive committee is in charge of plans.

A group of Eastern Star members visited Blue River Chapter in Eugene Wednesday evening. They were Mr. and Mrs. V. W. Johnston, Mrs. Barney Doyle, Mr. and Mrs. W. W. Smith, Mmes. H. W. Bryden, Edwin Kerr, J. T. Kerr, J. L. Scott, E. D. Cartwright and Preston Kerr.

Miss Helen Vick spent the weekend with friends at Monroe, Oreg.

Mr. and Mrs. Preston Kerr of Tuolumne, Calif., visited last week at the home of his cousin, J. T. Kerr.

At the recent state meeting of the Future Business Leaders in Corvallis, JoAnn Lunas was elected treasurer and Charles Gardner was elected director for two years.

Mr. and Mrs. J. L. Scott are rejoicing over the birth of their first grandchild, a daughter, born to Mr. and Mrs. Harold Scott, April 18 at Spokane, Wash. The mother, formerly Olsa Alexander, is a daughter of Mr. and Mrs. M. S. Oscar Alexander of Springfield.

Betrothal Told



CRESWELL—Mr. and Mrs. Frank L. DeBerry announce the engagement of their daughter, Ethel Merline, to Anthony Moon, son of Mrs. Arthur Richmond, Oldland Road. No date has been set for the wedding.

Miss DeBerry is a senior in the Creswell Union high school. Mr. Moon is a graduate of the Creswell Union high school with the class of 1954. He is employed in Eugene.

ANNIVERSARIES OBSERVED

CRESWELL—The Sisterhood of the Christian Church met April 13 at the home of Mrs. Dean Earlard Road. No date has been set for the wedding.

Miss DeBerry is a senior in the Creswell Union high school. Mr. Moon is a graduate of the Creswell Union high school with the class of 1954. He is employed in Eugene.

The home economics committee named Mr. and Mrs. V. E. Grousbek, Mr. and Mrs. James Morrison, L. S. Ayotte and Mr. and Mrs. S. J. Godard to serve refreshments at the birthday meeting April 28 and announced that \$67.57 was cleared at the recent benefit dinner.

Messrs. and Mmes. George Harvey, W. C. Adams and J. V. Birdsong were appointed to serve with Mrs. C. I. Kent on the Community Service committee. The ways and means committee announced having greeting cards for sale. A \$22 campership was voted to send some Girl Scout to Camp Clearwax this summer. The members were reminded of the home talent show to be sponsored by the Grange April 29 - 30. Refreshments were served in the dining room.

WALKER CLUB MEETS

CRESWELL—Mrs. George Harvey entertained the Walker Community club Thursday afternoon at her home. Two quilts that had been pieced by Mrs. Harvey for several years were presented to the club. Mrs. V. E. Grousbek presided at the business meeting. Mrs. Anton Myers, a member of the club, was reported home from the hospital and cards and flowers had been sent her and calls made.

The club voted to postpone the meeting date of April 28 to Thursday, May 5, at the home of Mrs. Mabel Jackson at Cottage Grove. Visitors were Mrs. James Morrison and Mrs. C. I. Kent. Members present were Mmes. Jackson, Cline Walkley, Mary Lindsay, Grousbek, W. C. Adams, Victor Anderson of Springfield, and the hostess.

Spencer Cr Grange Visits Creswell

CRESWELL—Forty members of Spencer Creek Grange were guests of Creswell Grange Thursday evening on a scheduled visitation. They seated their officers including Melvin Moorehead, master, and presented the following program: Group singing directed by Mrs. Gertrude Albro; tap dance by LaMora Staynes accompanied by Mrs. Landon; Easter reading, Mrs. Agnes Johnson with piano obligato by Mrs. Landon; song, Mrs. Albro and Mrs. Staynes; harmonica and guitar, Don Trupp and Melvin Moorehead; vocal solo, Mary Albro accompanied by Mrs. Gertrude Albro; dance, Judy Moorehead; song, Richard Hockett and Steve Hill accompanied by Melvin Moorehead; skit, Mrs. Staynes and Mrs. Winifred Rufford. Mrs. W. A. Porter, lecturer, was in charge.

Frank L. DeBerry presided at the business meeting. Mr. and Mrs. Mark S. Moore were elected to membership by election. Mr. and Mrs. W. C. Adams were obligated in the third and fourth degrees.

F. E. Vick of the agricultural committee spoke of the rodent control work in the county, of a special corn raising project and on wheat allotments. Douglas Treiber reviewed bill pending in the legislature.

The home economics committee named Mr. and Mrs. V. E. Grousbek, Mr. and Mrs. James Morrison, L. S. Ayotte and Mr. and Mrs. S. J. Godard to serve refreshments at the birthday meeting April 28 and announced that \$67.57 was cleared at the recent benefit dinner.

Douglas Fir Region Statistics Given

PORTLAND—First quarter report of production, orders and shipments for the Douglas fir region was released recently by Harris E. Smith, secretary of West Coast Lumberman's Association.

Weekly average of West Coast lumber production in March was 194,670,000 b.f. or 103.9% of the 1950-1954 average. Orders averaged 198,255,000 b.f., Shipments 202,022,000 b.f.; Weekly averages for February were: Production, 203,794,000 b.f.; 108.8% of the 1950-1954 average; Orders 184,634,000 b.f.; Shipments 189,819,000 b.f.

Three months of 1955 cumulative production 2,501,476,000 b.f.; Three months of 1954, 2,392,652,000 b.f.; Three months of 1953, 2,586,702,000 b.f.

Orders for three months of 1955 break down as follows: Rail & Truck 1,805,580,000 b.f.; Domestic Cargo 442,435,000 b.f.; Export 73,951,000 b.f.; Local 91,038,000 b.f.

The industry's unfilled order file stood at 795,525,000 b.f. at the end of March, gross stocks at 998,088,000 b.f.

To prevent child accidents, never leave baby alone in the bath, even for "just a minute." If the doorbell or phone rings, ignore the call, or take baby with you to answer.

Music is a friend of labor; it lightens the task by refreshing nerves and spirit.—William Green



Christmas Tree Farm to Be Seen Near Vida 26th

The famous Christmas tree farm of Chester Goodman, two miles east of Vida, will be observed at 1 p.m. Tuesday, April 26, according to W. H. Parker, Lane County extension agent. Mr. Goodman has been able to develop a quality Christmas tree which commercial trade interests are demanding. The time is gone when a person can just go out and cut any Christmas tree and sell it on the market. The Christmas tree production is an enterprise which takes considerable management.

This farm woodland owner can certainly be helpful in giving time by hints on practices which he has developed in cooperation with forestry experts. His several years of work in this field is paying dividends. This will be an excellent opportunity to actually see and discuss with the owner himself the following: suitable soil and climate conditions; cultural practices such as thinning, brush control, pruning, stump culture or scarring; establishing a Christmas tree plantation by planting for natural seed; and harvesting which will include preparation of the tree and the laws and contracts governing sale. These practices will also be discussed by Paul Goodmonson, farm woodland specialist, Oregon State College; and Harold Sasser, state farm forester, Eugene, according to W. G. Nash, chairman of the county forestry committee.

Everyone interested in Christmas tree information should certainly attend this tour to get helpful management suggestions.

Mosby Creek Folk Entertain Guests

By Mrs. Harry Castle
Phone 96843

MOSBY CREEK—Mrs. Everett McCoy of HEC Hebron Grange went to Waltherville Tuesday with a group of grange members and spent the day with the Waltherville Grange HEC members.

Teddy and Frank Foster went to Marion recently and visited their sister and family, Mr. and Mrs. Dean Nollen.

Dorothy Roby is home from San Diego where he is in the Navy. When he returns, he will be sent overseas.

Mr. Renard, manager of Parks and Recreation, met with the Blue Mt. school board Tuesday night and worked out a plan on the use of the road and swinging bridge on the park grounds.

Mr. and Mrs. Charles Putman and Thelma spent Easter Sunday with Mr. Putman's mother, Mrs. Olive Wickham, Springfield, at the Harry Jones home. Mrs. Jones is a sister of Mr. Putman.

Mrs. Ben Anderson returned home last week from Portland where she visited with her son and daughter and with Mr. Anderson, who is in the Veterans' hospital in Vancouver.

Mrs. Glen Roby received a lovely silver jelly spoon from a jewelry store in Cottage Grove Friday in honor of her birthday anniversary.

Frank Brumbaugh of The Dalles visited Sunday morning with his sister and husband, Mr. and Mrs. Floyd Jones.

Mr. and Mrs. Floyd Jones went to Springfield Sunday and helped their granddaughter and husband, Melvin, and Mrs. Duer went also and shopped in Eugene.

Mr. and Mrs. Warren Fichtner and children of Eugene were callers Sunday at the home of Mr. and Mrs. Glen Scott. Other guests were Mr. and Mrs. Eamney Shattuck, Mabel Baker and Joe Landers of Cottage Grove.

Mr. and Mrs. Victor Lopez and six boys have moved to California where he has work.

Mr. and Mrs. Pete Ekelund and two children went to Clatskanie over the weekend to visit her parents, Mr. and Mrs. John Walisch, and brought their small daughter, Susie, home. Susie had spent a month with her grandparents.

Mr. and Mrs. Lawrence Sathers of Grants Pass were dinner guests Friday evening at the home of Mr. and Mrs. Pete Ekelund.

Berta McGuire and son, Russell,

and Bill Jarrard made a trip to Roseburg Sunday.

Mr. and Mrs. Albert Shogren and son, Dwight, went to Laurelwood over the weekend and visited with their daughter, Nancy. Wenjie also went with them, and Carole Pershall who attends school there went back with them after being home a week.

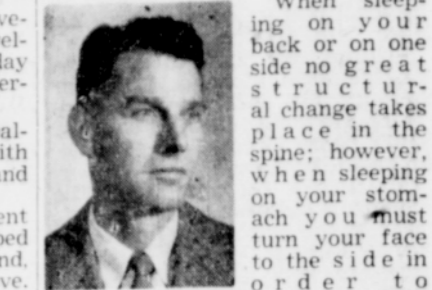
Mr. and Mrs. Dean Lebow and son of Albany visited several days at the home of Mr. and Mrs. Cliff Lebow. Thursday Mrs. Cliff Lebow and children and the Dean Lebows went to Sutherlin and visited Mr. and Mrs. John Bratton and Mr. and Mrs. Arnie Peniot. The two ladies are sisters of Mrs. Lebow.

The present Army Safety Program received its start in the continental United States in 1943.

Sleeping on Stomach Affects Health

by Dr. Ivan C. Goodman

One of the few facts known about sleep is that everyone changes position many times during the night, but those who have the habit of sleeping on their stomach should try to overcome it.



When sleeping on your back or on one side no great structural change takes place in the spine; however, when sleeping on your stomach you must turn your face to the side in a r d e t o breathe. Through habit the face is usually turned in the same direction every night. This position twists the vertebrae and if the habit is continued they may have a tendency to stay in this position and out of alignment, with those vertebrae below. X-rays have shown this to be true in many cases. Stiff or painful neck, soreness in shoulders, peculiar sensations in the arms, and sometimes organic and functional disturbances may result from such a misalignment.

Chiropractic adjustments will correct the position of the vertebra and by watching sleeping habits the trouble is likely to recur.

Cottage Grove Clinic (Chiropractic)
145 Pac. Highway South
Telephone 222

Creswell Plumbing & Heating Co.
Phone 888 Creswell, Oregon

Who put the Glamour in the family four-door?

THE NEW DODGE
Flair-Fashioned... and Flashing Ahead

You've always known the 4-door sedan was the ideal "family car." But perhaps it's never seemed very exciting!

Then one day you spot someone swooping past your home in a new Dodge Custom Royal Lancer Four-Door! Gallant and gay! Dashing! Four-door convenience with a fashion flair!

These 4-door Lancers are just now arriving at our Dodge dealerships. Be the first in your neighborhood to put glamour into family transportation!

Dodge Dealers present: Danny Thomas in "Make Room for Daddy," ABC-TV • Bert Parks in "Break the Bank," ABC-TV • Roy Rogers, NBC Radio

CECIL BECK MOTOR CO.
711 S. Pac. Hwy. Phone 405